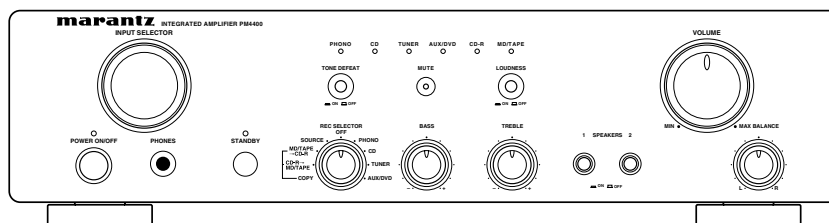


Service Manual

PM4400 /F1N/N1G
F1B/N1B

Integrated Amplifier



PM4400

TABLE OF CONTENTS

SECTION	PAGE
1. TECHNICAL SPECIFICATIONS	1
2. BLOCK DIAGRAM	2
3. WIRING DIAGRAM	3
4. IDLING CURRENT ADJUSTMENT	4
5. SCHEMATIC DIAGRAM AND PARTS LOCATION (Parts Side)	5
6. EXPLODED VIEW AND PARTS LIST	13
7. ELECTRICAL PARTS LIST	17

Please use this service manual with referring to the user guide (D.F.U.) without fail.
修理の際は、必ず取扱説明書を準備し操作方法を確認の上作業を行ってください。

marantz®

PM4400

MARANTZ DESIGN AND SERVICE

Using superior design and selected high grade components, **MARANTZ** company has created the ultimate in stereo sound. Only original **MARANTZ** parts can insure that your **MARANTZ** product will continue to perform to the specifications for which it is famous.

Parts for your **MARANTZ** equipment are generally available to our National Marantz Subsidiary or Agent.

ORDERING PARTS :

Parts can be ordered either by mail or by Fax.. In both cases, the correct part number has to be specified.

The following information must be supplied to eliminate delays in processing your order :

1. Complete address
2. Complete part numbers and quantities required
3. Description of parts
4. Model number for which part is required
5. Way of shipment
6. Signature : any order form or Fax. must be signed, otherwise such part order will be considered as null and void.

USA

MARANTZ AMERICA, INC
1100 MAPLEWOOD DRIVE
ITASCA, IL. 60143
USA
PHONE : 630 - 741 - 0300
FAX : 630 - 741 - 0301

EUROPE / TRADING

MARANTZ EUROPE B.V.
P. O. BOX 8744, BUILDING SILVERPOINT
BEEMDSTRAAT 11, 5653 MA EINDHOVEN
THE NETHERLANDS
PHONE : +31 - 40 - 2507844
FAX : +31 - 40 - 2507860

CANADA

LENBROOK INDUSTRIES LIMITED
633 GRANITE COURT,
PICKERING, ONTARIO L1W 3K1
CANADA
PHONE : 905 - 831 - 6333
FAX : 905 - 831 - 6936

PROFESSIONAL AMERICAS

SUPERSCOPE TECHNOLOGIES, INC.
MARANTZ PROFESSIONAL PRODUCTS
2640 WHITE OAK CIRCLE, SUITE A
AURORA, ILLINOIS 60504 USA
PHONE : 630 - 820 - 4800
FAX : 630 - 820 - 8103

PROFESSIONAL AUSTRALIA

TECHNICAL AUDIO GROUP PTY, LTD
43-53 Bridge Rd.,
STANMORE NSW 2048
AUSTRALIA
PHONE : +61 - (0)2 - 9519 - 0900
FAX : +61 - (0)2 - 9519 - 0600

PROFESSIONAL HONG KONG

Jolly ProAudio Broadcast Engineering Ltd.
UNIT 2, 10F, WAH HUNG CENTRE,
41 HUNG TO ROAD, KWUN TONG, KLN.,
HONG KONG
PHONE : 852 - 21913660
FAX : 852 - 21913990

AUSTRALIA

QualiFi Pty Ltd,
24 LIONEL ROAD,
MT. WAVERLEY VIC 3149
AUSTRALIA
PHONE : +61 - (0)3 - 9543 - 1522
FAX : +61 - (0)3 - 9543 - 3677

THAILAND

MRZ STANDARD CO., LTD
746 - 754 MAHACHAI ROAD.,
WANGBURAPAPIROM, PHRANAKORN,
BANGKOK, 10200 THAILAND
PHONE : +66 - 2 - 222 9181
FAX : +66 - 2 - 224 6795

SINGAPORE

WO KEE HONG DISTRIBUTION PTE LTD
130 JOO SENG ROAD
#03-02 OLIVINE BUILDING
SINGAPORE 368357
PHONE : +65 6858 5535 / +65 6381 8621
FAX : +65 6858 6078

NEW ZEALAND

WILDASH AUDIO SYSTEMS NZ
14 MALVERN ROAD MT ALBERT
AUCKLAND NEW ZEALAND
PHONE : +64 - 9 - 8451958
FAX : +64 - 9 - 8463554

TAIWAN

PAI- YUING CO., LTD.
6 TH FL NO, 148 SUNG KIANG ROAD,
TAIPEI, 10429, TAIWAN R.O.C.
PHONE : +886 - 2 - 25221304
FAX : +886 - 2 - 25630415

MALAYSIA

WO KEE HONG ELECTRONICS SDN. BHD.
2ND FLOOR BANGUNAN INFINITE CENTRE
LOT 1, JALAN 13/6, 46200 PETALING JAYA
SELANGOR DARUL EHSAN, MALAYSIA
PHONE : +60 - 3 - 7954 8088
FAX : +60 - 3 - 7954 7088

JAPAN *Technical*

MARANTZ JAPAN, INC.
35- 1, 7- CHOME, SAGAMIONO
SAGAMIHARA - SHI, KANAGAWA
JAPAN 228-8505
PHONE : +81 42 748 1013
FAX : +81 42 741 9190

日本マランツ株式会社

本社 〒228-8505
神奈川県相模原市相模大野7-35-1

KOREA

MK ENTERPRISES LTD.
ROOM 604/605, ELECTRO-OFFICETEL, 16-58,
3GA, HANGANG-RO, YONGSAN-KU, SEOUL
KOREA
PHONE : +822 - 3232 - 155
FAX : +822 - 3232 - 154

SHOCK, FIRE HAZARD SERVICE TEST :

CAUTION : After servicing this appliance and prior to returning to customer, measure the resistance between either primary AC cord connector pins (with unit NOT connected to AC mains and its Power switch ON), and the face or Front Panel of product and controls and chassis bottom.

Any resistance measurement less than 1 Megohms should cause unit to be repaired or corrected before AC power is applied, and verified before it is return to the user/customer.

Ref. UL Standard No. 1492.

In case of difficulties, do not hesitate to contact the Technical Department at above mentioned address.

1. TECHNICAL SPECIFICATIONS

Power output

RMS 8 Ohms /4 Ohms (40 Hz - 20 kHz) 30 / 40 W
DIN 8 Ohms / 4 Ohms 35 / 45 W

IHF dynamic power

8 Ohms / 4 Ohms 50 / 80 W
THD at 8 Ohms RMS rated output 0.005 %
Intermodulation distortion 0.005 %
Damping factor 80

Magnetic cartridge input

Input sensitivity impedance 2.5 mV / 47 k ohms
Accuracy of frequency response to RIAA ± 0.5 dB
Signal to noise ratio 80 dB

Tuner / CD / Aux/DVD / MD/Tape / CD-R inputs

Input sensitivity impedance 150 mV / 20 k ohms
Signal to noise ratio 105 dB
Frequency response (-1 dB) 10 Hz - 50 kHz
Tone characteristic (100 Hz and 10 kHz) ± 6 dB
Channel separation 70 dB

General

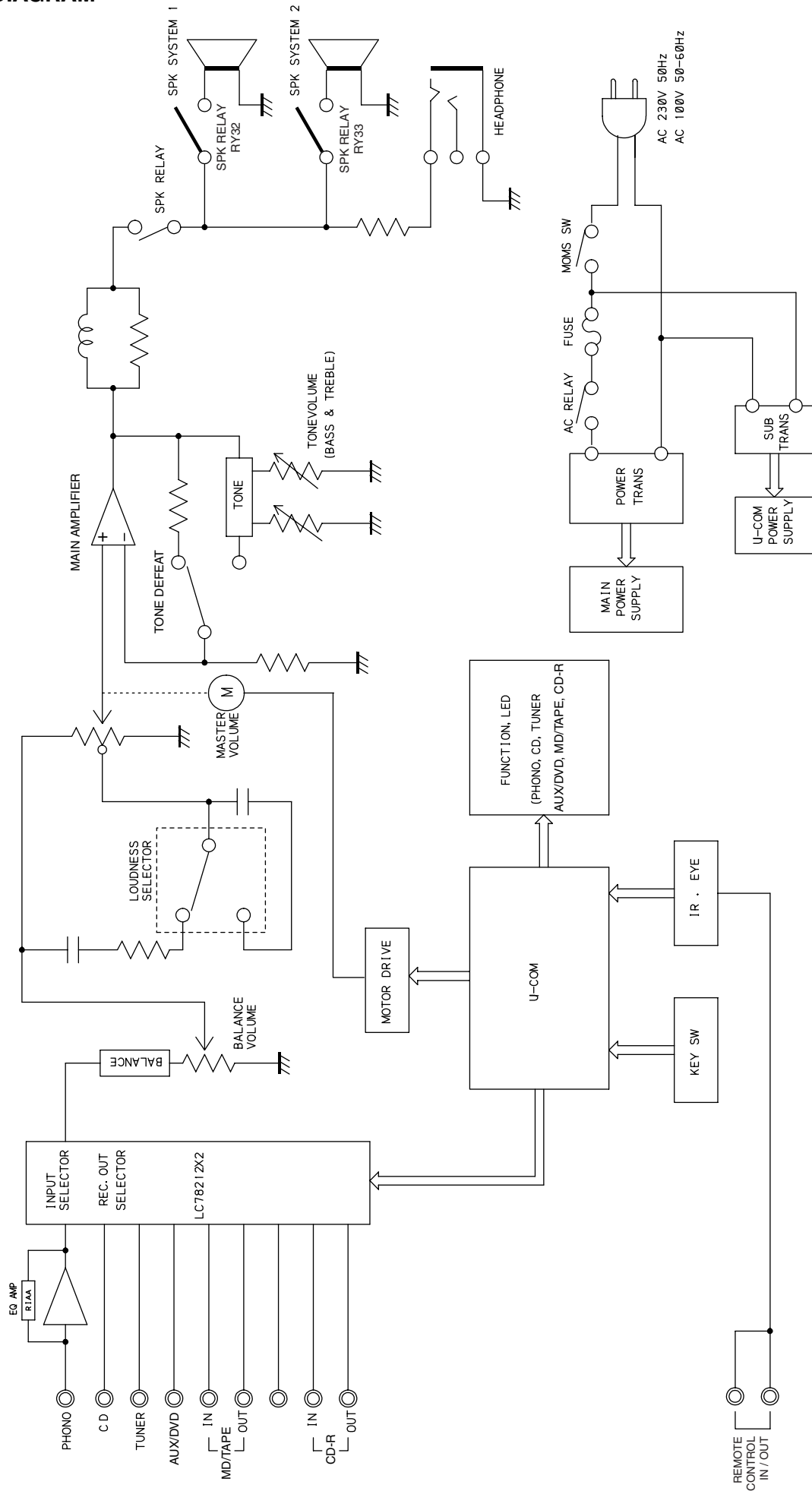
Power Requirements

F version 100 V AC, 50 / 60 Hz
N version 230 V AC, 50 Hz
Dimensions (MAX) (WxHxD) 440 x 116 x 343 mm
Weight 6.0 kg

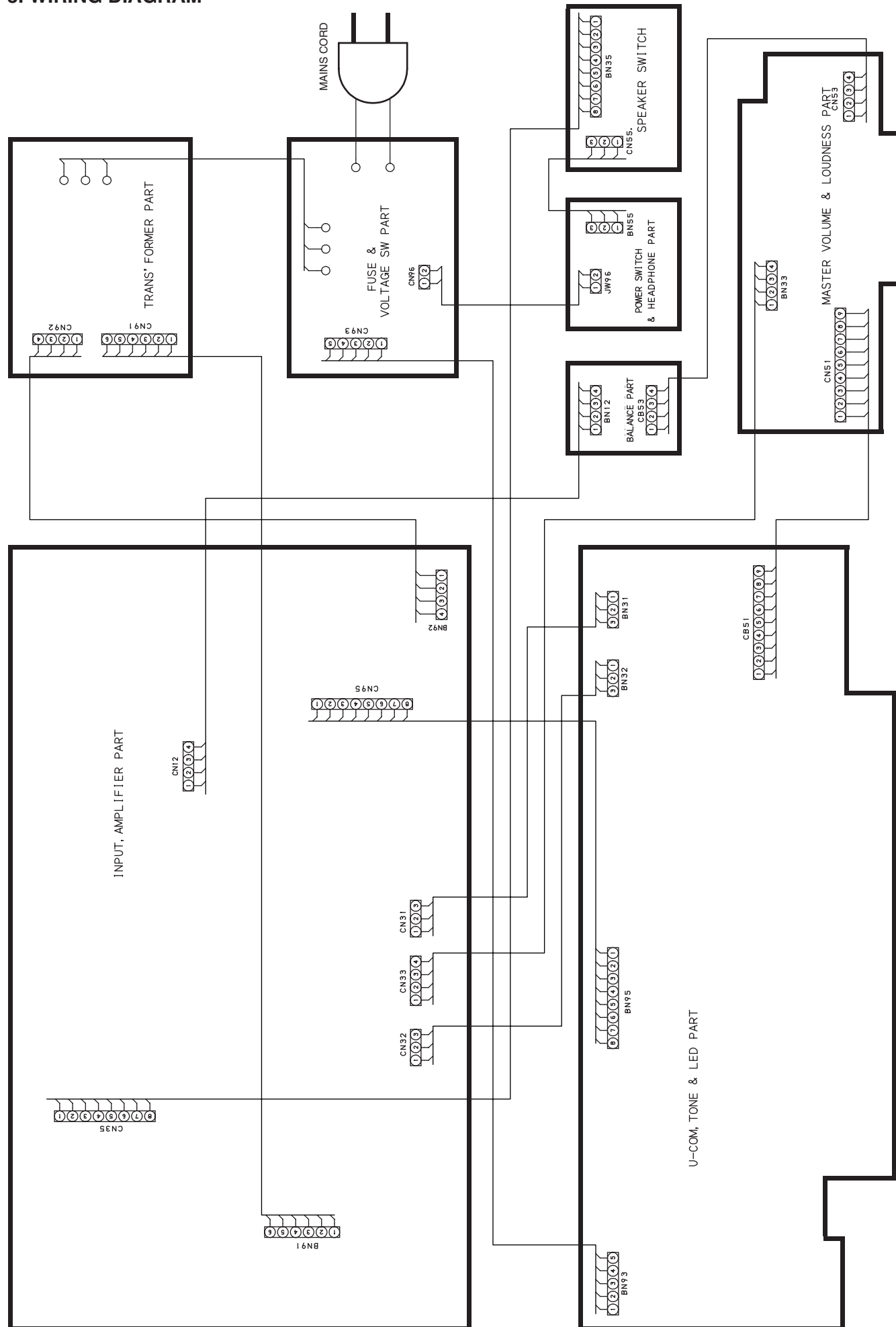
Accessories

Remote control unit (RC4200PM) 1
AA type Batteries 2
Registration Card 1
User's Guide 1

2. BLOCK DIAGRAM



3. WIRING DIAGRAM



IC61 : M37531E4FP

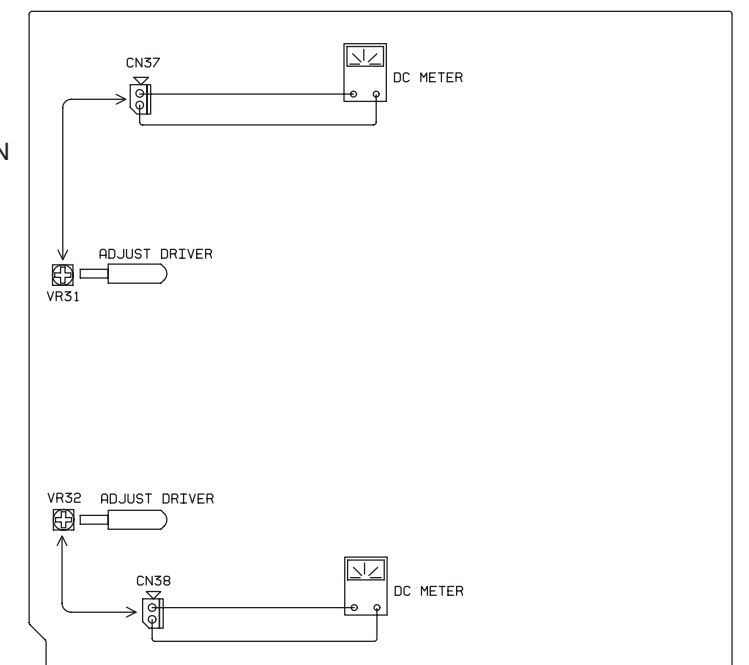
PIN NO.	SYMBOL	IN/OUT	DESCRIPTION
1	CLK	O	CLOCK OUTPUT
2	DATA	O	DATA OUTPUT
3	CE	O	MICOM CHIP ENABLE
4	R.SEL.	I	REC SELECTOR INPUT
5	GND	I	GROUND
6	GND	I	GROUND
7	GND	I	GROUND
8	GND	I	GROUND
9	ST-BY	O	STANDBY LED OUTPUT
10	VR UP	O	MOTOR VR UP OUTPUT
11	VR DN	O	MOTOR VR DOWN OUTPUT
12	VCC	I	VDD CONNECTION
13	RESET	I	MICOM RESET
14		I	
15	VCC	I	VDD CONNECTION
16	XIN	I	8.0MHz CRYSTAL MICOM OPERATOR
17	XOUT	I	8.0MHz CRYSTAL MICOM OPERATOR
18	GND	I	GROUND
19	EN.1	I	FUNCTION SELECTOR ENCODER INPUT
20	EN.2	I	FUNCTION SELECTOR ENCODER INPUT
21	AMUTE	O	AMP MUTE OUTPUT
22	FMUTE	O	FUNCTION MUTE OUTPUT
23	GND	I	GROUND
24	GND	I	GROUND
25	BACKUP	I	BACK UP INPUT
26	RE-IN	I	REMOCON DATA INPUT
27	P.ON	O	POWER ON/OFF
28	PRO IN	I	PROTECTOR INPUT
29	CD-R	O	CD-R FUNCTION LED OUTPUT
30	MD/TAPE	O	MD/TAPE FUNCTION LED OUTPUT
31	AUX/DVD	O	AUX/DVD FUNCTION LED OUTPUT
32	TUNER	O	TUNER FUNCTION LED OUTPUT
33	CD	O	CD FUNCTION LED OUTPUT
34	PHONO	O	PHONO FUNCTION LED OUTPUT
35	MUTE	O	MUTE LED OUTPUT
36	GND	I	GROUND

4. IDLING CURRENT ADJUSTMENT

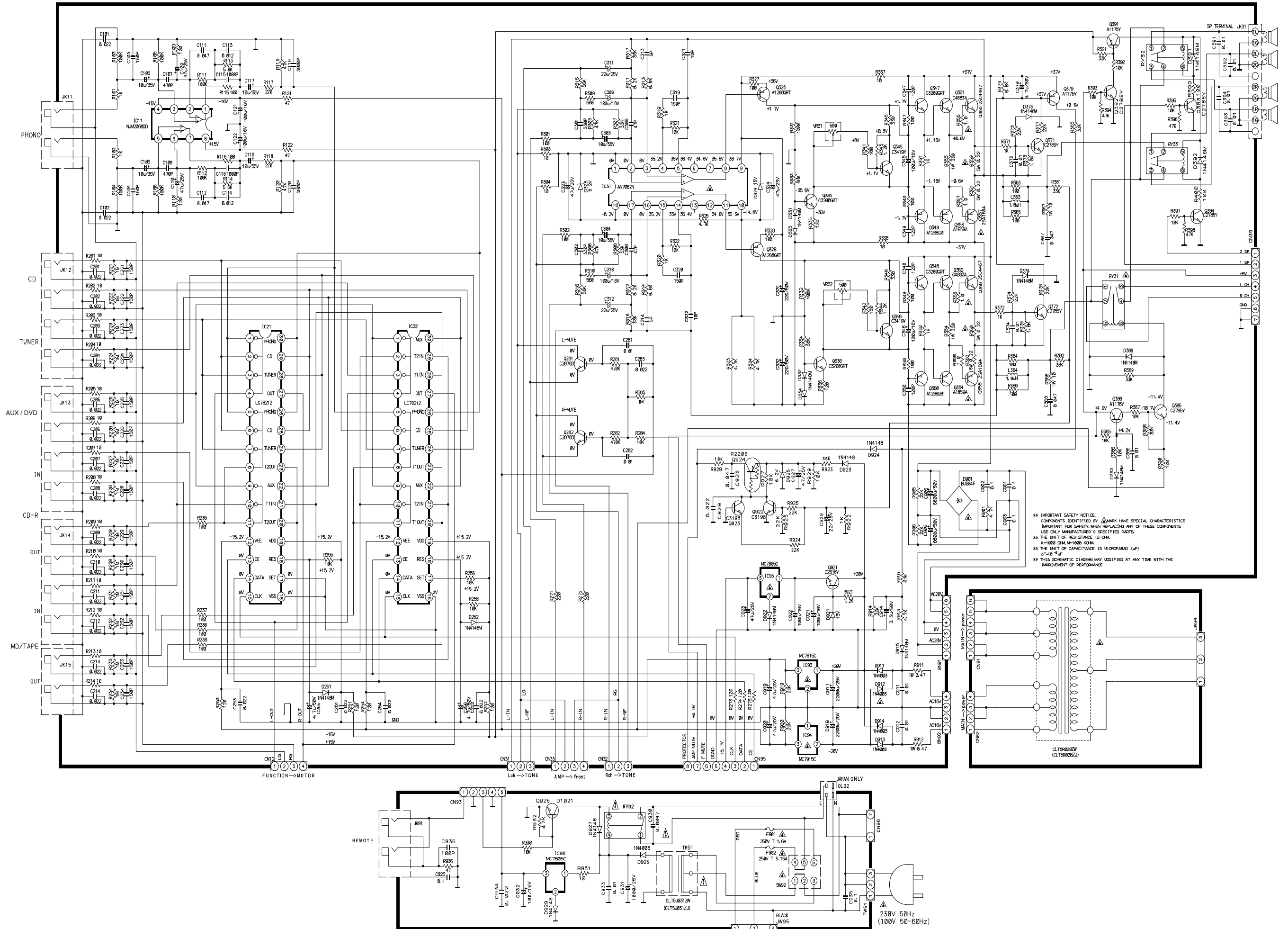
CONTROLS SETTING :

- TONE(BASS & TREBLE), BALANCE - MID POSITION
- VOLUME - MINIMUM POSITION
- LOUDNESS - OFF POSITION
- TONE DEFEAT - OFF POSITION

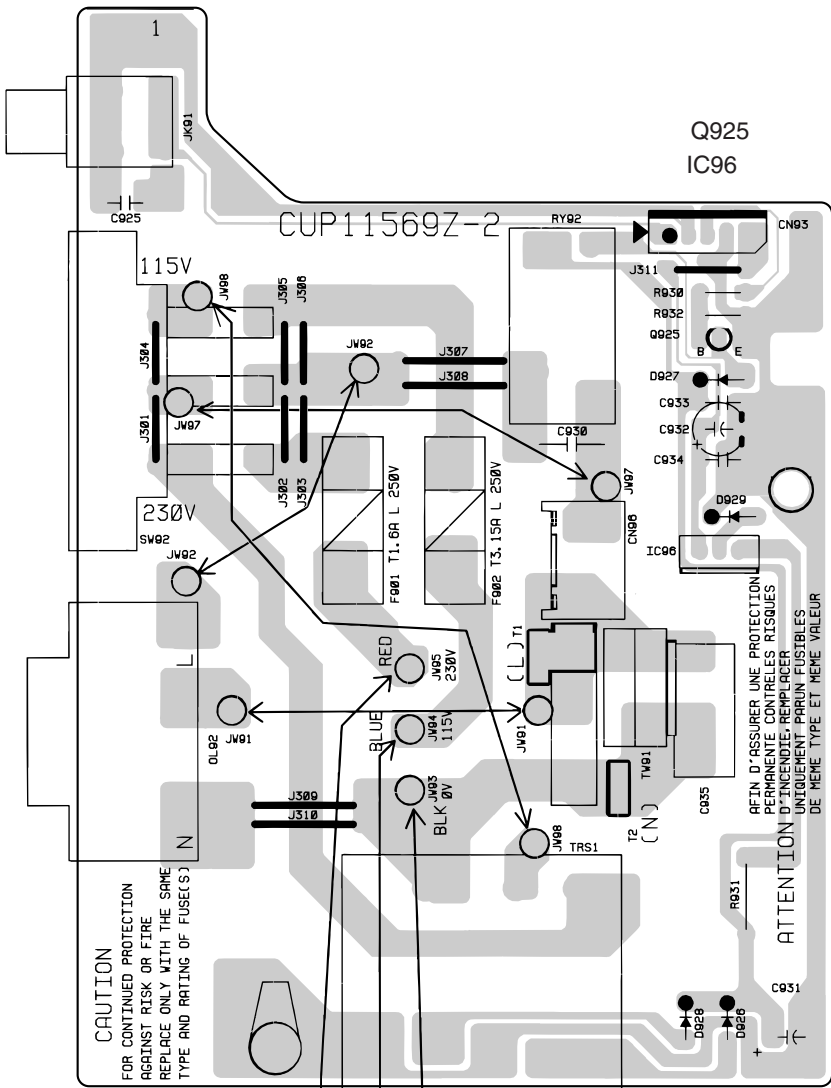
ADJUST	MESURED ACROSS	VOLTMETER READING
VR31	CN37	5 mV
VR32	CN38	5 mV



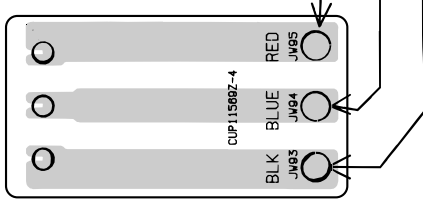
5. SCHEMATIC DIAGRAM AND PARTS LOCATION (Parts Side)



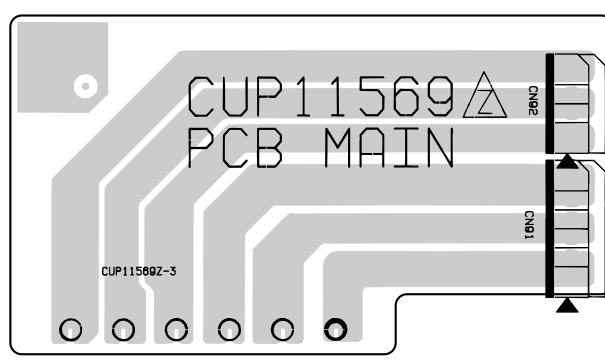
FUSE & VOLTAGE SW PCB



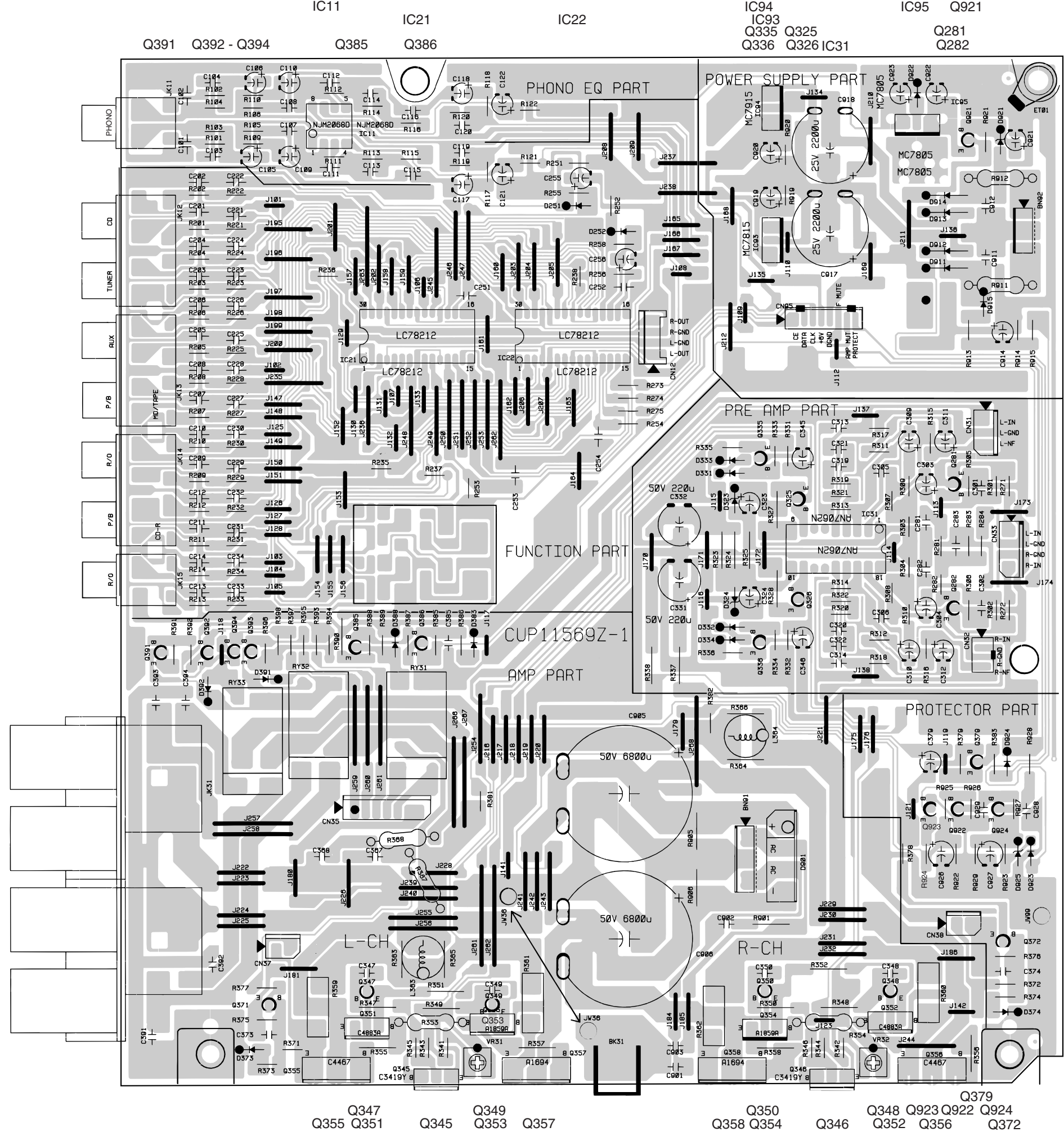
TRANSFORMER PCB

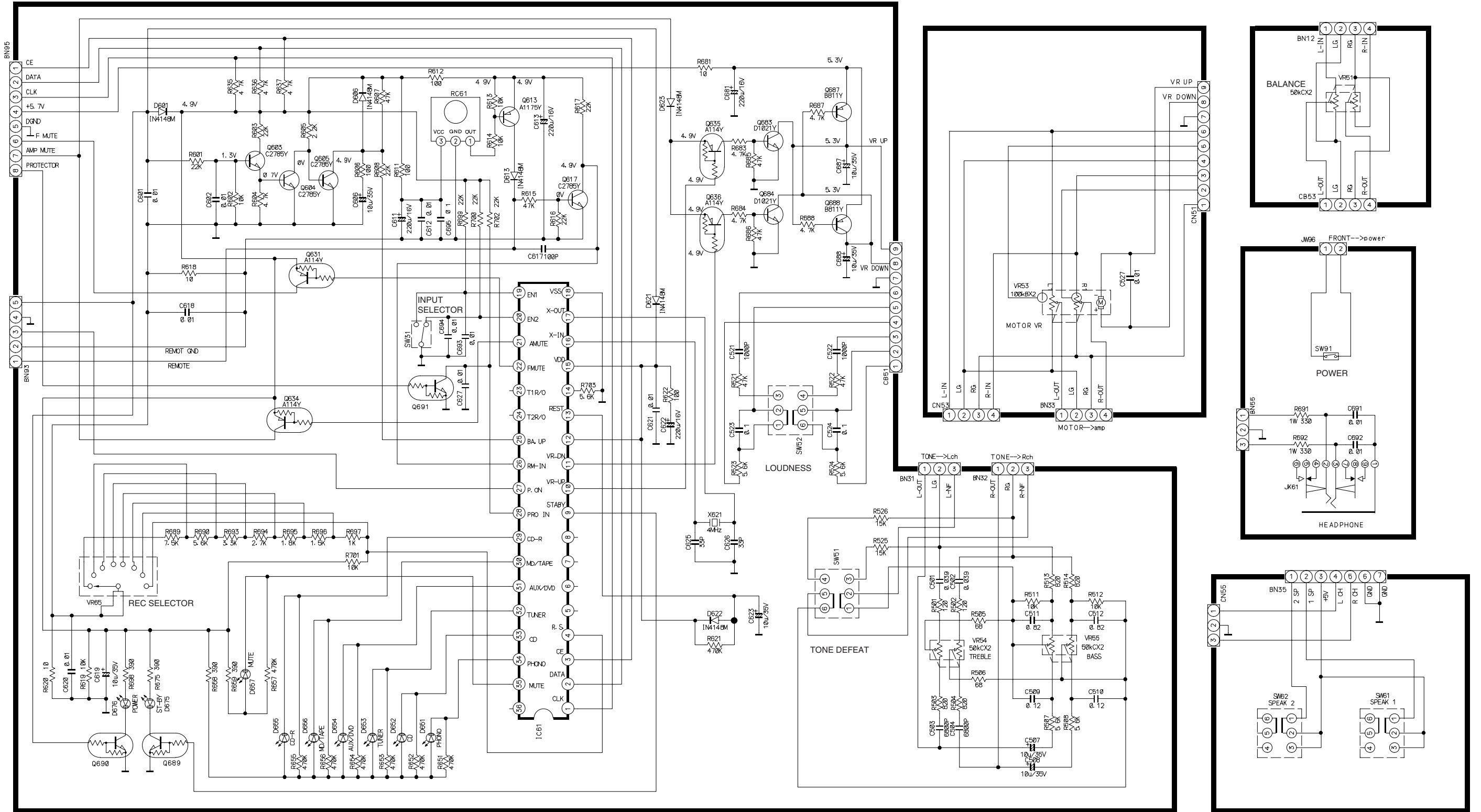


TRANSFORMER PCB



INPUT / AMPLIFIER PCB





** IMPORTANT SAFETY NOTICE.
 COMPONENTS IDENTIFIED BY MARK HAVE SPECIAL CHARACTERISTICS.
 IMPORTANT FOR SAFETY, WHEN REPLACING ANY OF THESE COMPONENTS
 USE ONLY MANUFACTURER'S SPECIFIED PARTS.
 ** THE UNIT OF RESISTANCE IS OHM
 K=1000 OHM, M=1000 KOHM
 ** THE UNIT OF CAPACITANCE IS MICROFARAD (UF)
 μF=10⁻⁶ UF
 ** THIS SCHEMATIC DIAGRAM MAY MODIFIED AT ANY TIME WITH THE
 IMPROVEMENT OF PERFORMANCE

U-COM / TONE & LED PCB

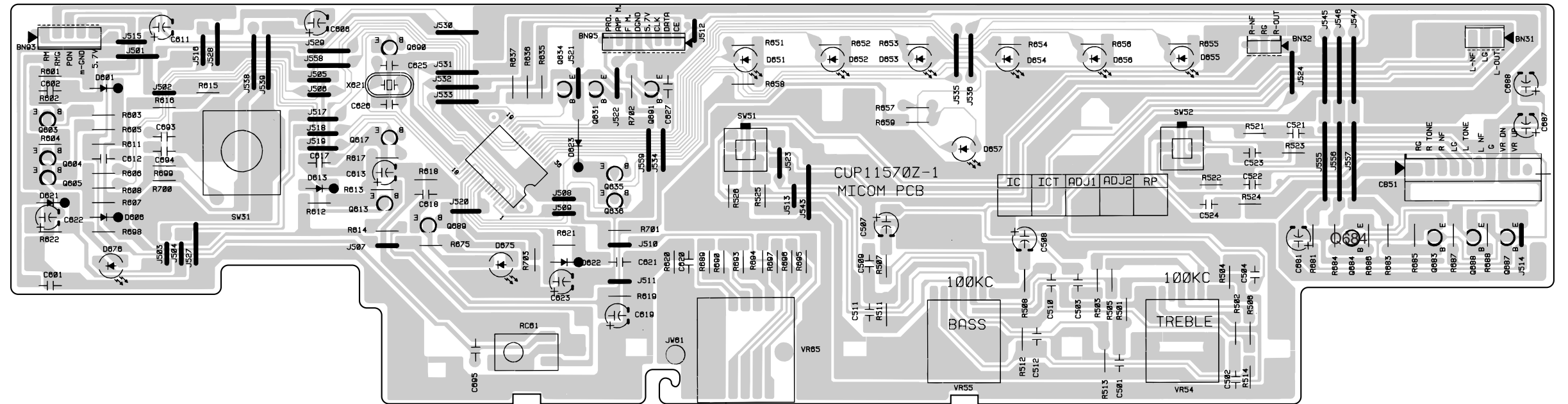
Q603
Q604
Q605

Q690
Q617
Q613 Q689

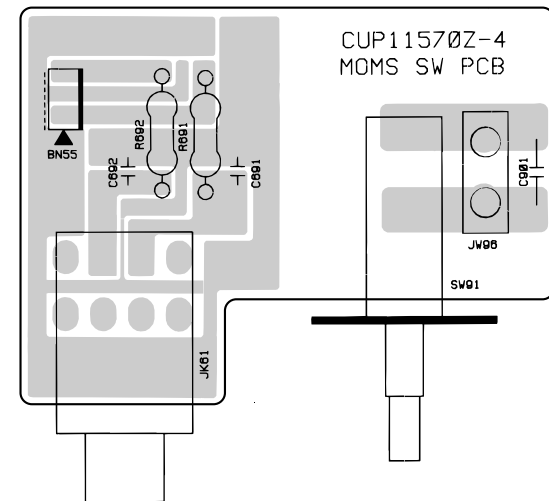
IC61

Q634 Q631 Q691
Q635
Q636

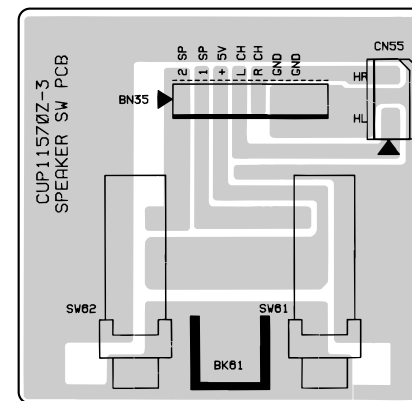
Q683 Q688 Q687



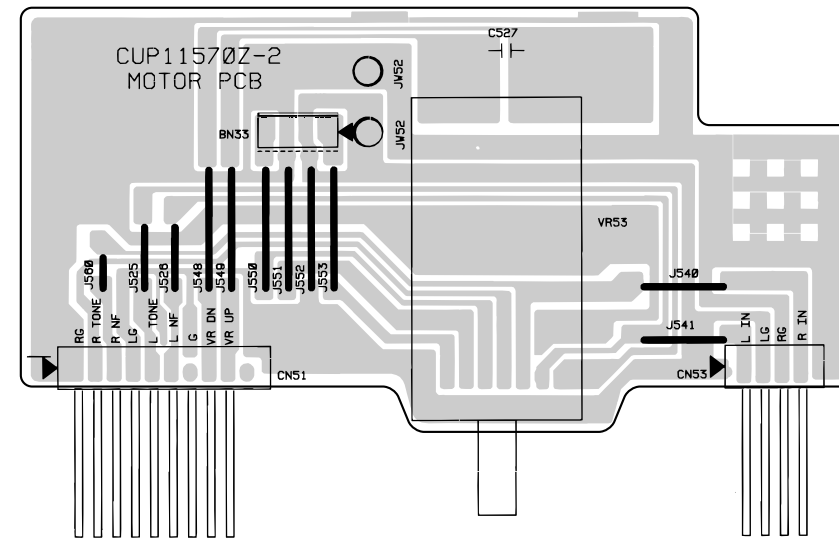
POWER SW PCB



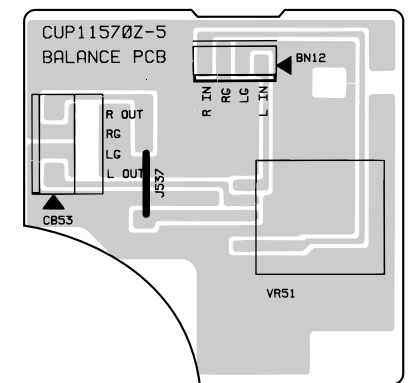
SPEAKER SW PCB



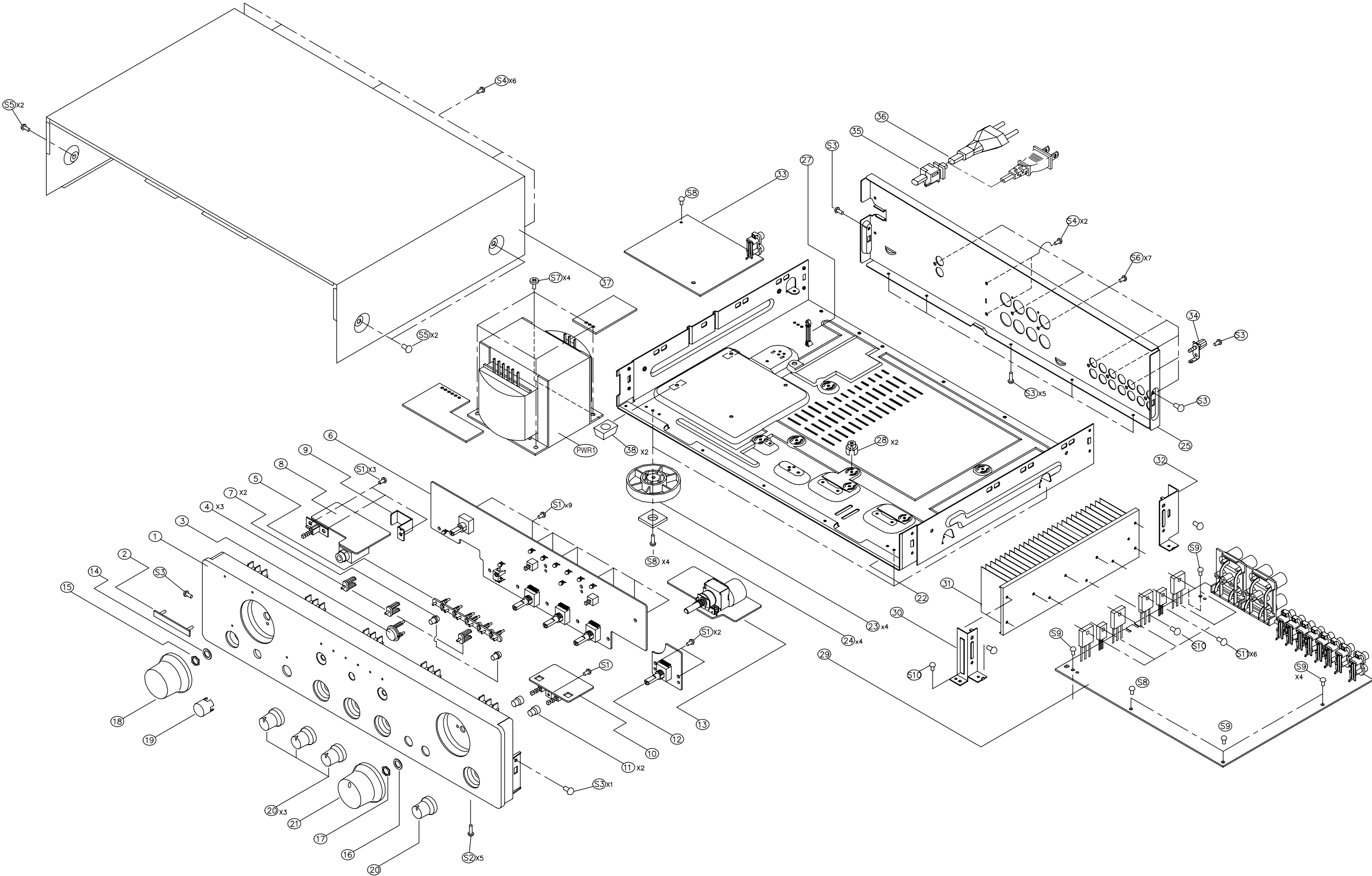
MASTER VOLUME PCB



BALANCE PCB



6. EXPLODED VIEW AND PARTS LIST



POS. NO	VERS. COLOR	PART NO. (FOR EUR)	PART NO. (MUJ)	DESCRIPTION		
1	BLACK	25AW248010	25AW248010	PANEL,	FRONT PANEL BLK	CGW2A268WH27
1	GOLD	25AW248110	25AW248110	PANEL,	FRONT PANEL GLD	CGW2A268MGVH40
2		24AW251010	24AW251010	BADGE,	NEW MARANTZ BADGE	CGB1A117
3		274W158010	274W158010	WINDOW	IR WINDOW (KGU1A221A8)	CGU1A221A8
4		274W355020	274W355020	INDICATOR	LENS MUTE (KGL1A174)	CGL1A174
5		274W355010	274W355010	INDICATOR	LENS FUNCTION (KGL1A173)	CGL1A173
6		nsp	nsp	FRONT PCB ASS'Y		COP11570B
7	BLACK	274W270010	274W270010	KNOB	BUTTON FOR LOUDNESS(KBC1A126)	CBC1A126
7	GOLD	274W270110	274W270110	KNOB	BUTTON FOR LOUDNESS	CBC1A126MGK88
9		nsp	nsp	BRACKET, PCB		CMD1A081
11	BLACK	285W270060	285W270060	KNOB	SPEAKER	CBC1A123
11	GOLD	285W270160	285W270160	KNOB	SPEAKER	CBC1A123MGK88
18	BLACK	274W154020	274W154020	KNOB	FOR SELECTOR(KBN1A114)	CBN1A114K92
18	GOLD	274W154120	274W154120	KNOB	FOR SELECTOR	CBN1A114MGK88
19	BLACK	285W270010	285W270010	KNOB	POWER	CBC1A122K92
19	GOLD	285W270110	285W270110	KNOB	POWER	CBC1A122MGK88
20	BLACK	274W154030	274W154030	KNOB	FOR BALANCE(KBN1A115)	CBN1A115K92
20	GOLD	274W154130	274W154130	KNOB	FOR BALANCE	CBN1A115MGK88
21	BLACK	274W154010	274W154010	KNOB	FOR VOLUME(KBN1A113)	CBN1A113K92
21	GOLD	274W154110	274W154110	KNOB	FOR VOLUME	CBN1A113MGK88
22	/F1B	nsp	nsp	BOTTOM CHASSIS ASS'Y		CUAPM4400/F1BCC
22	/F1N	nsp	nsp	BOTTOM CHASSIS ASS'Y		CUAPM4400/F1NCC
22	/N1B	nsp	nsp	BOTTOM CHASSIS ASS'Y		CUAPM4400/N1BCC
22	/N1G	nsp	nsp	BOTTOM CHASSIS ASS'Y		CUAPM4400/N1GCC
22		nsp	nsp	CHASSIS, BOTTOM A1-97-0426		CUA1A162
23		243W057010	243W057010	FOOT, FRONT		CKL2A042H11
24		nsp	nsp	RUBBER, CUSHION		KHG1A050
25	/F1B	nsp	nsp	PANEL, REAR		CKF2A187P
25	/F1N	nsp	nsp	PANEL, REAR		CKF2A187O
25	/N1B	nsp	nsp	PANEL, REAR		CKF1A187P
25	/N1G	nsp	nsp	PANEL, REAR		CKF1A187O
27		nsp	nsp	BUTTON SUPPORT SJBS-26R		KRE1A006
28		nsp	nsp	HOLDER, PCB		CHE170
29	/F	nsp	nsp	MAIN PCB ASS'Y		COP11569C
29	/N	nsp	nsp	MAIN PCB ASS'Y		COP11569B
30		nsp	nsp	BRACKET(F), HEAT SINK A4-97-2814		CMD1A366
31		nsp	nsp	SINK, HEAT PM4000		CMY1A150
32		nsp	nsp	BRACKET(F), HEAT SINK A4-97-2815		CMD1A367
34		nsp	nsp	TERMINAL, GROUND		KMA1A006
35		24AW259020	24AW259020	BUSHING, AC CORD		KHR1A028
▲	36 /F	nsp	*YC000370R	MAINS CORD, POWER 100V 50/60Hz		CJA2J049Z
▲	36 /N	*YC000360R	*YC000360R	MAINS CORD, POWER EUR 2.5A 250V		CJA2B043Z
38		nsp	nsp	RUBBER		CHG1A113
BK61		nsp	nsp	BRACKET, PCB		CMD1A387
▲	PWR1 /F	nsp	*TS001100R	MAINS TRANSF, POWER PM-48		CLT5R028ZW
▲	PWR1 /N	*TS001090R	*TS001090R	MAINS TRANSF, POWER		CLT5R028ZJ
		nsp	nsp	SUPPORT, FIP		CHG1A134
				SCREW		
S1		nsp	nsp	SCREW		CTB3+10G
S2	BLACK	nsp	nsp	SCREW		CTB3+8JFZ
S2	GOLD	nsp	nsp	SCREW		CTB3+8J
S3	GOLD	nsp	nsp	SCREW		CTB3+6JFZ
S4		nsp	nsp	SCREW		CTB3+6J
S5	BLACK	nsp	nsp	SCREW		CTB4+6FFZ
S5	GOLD	nsp	nsp	SCREW		CTB4+6FFB
S6		nsp	nsp	SCREW		CTB3+10GFZ
S7		nsp	nsp	SCREW		CTB4+8F
S8		nsp	nsp	SCREW		CTW3+12J
S9		nsp	nsp	SCREW		CTW3+8J

NOTE : *nsp* PART IS LISTED FOR REFERENCE ONLY, MARANTZ WILL NOT SUPPLY THESE PARTS.

POS. NO	VERS. COLOR	PART NO. (FOR EUR)	PART NO. (MJI)	DESCRIPTION		
S10		nsp	nsp	SCREW		CTW3+12J
				WIRE		
BN12		nsp	nsp	SHIELD WIRE ASS'Y	LG 2.5MM(04P)	CWZPM48BN12
BN31		nsp	nsp	SHIELD WIRE ASS'Y	2.5MM(03P)	CWZPM48BN31
BN32		nsp	nsp	SHIELD WIRE ASS'Y	2.0MM(03P)	CWZPM48BN32
BN33		nsp	nsp	SHIELD WIRE ASS'Y	2.5MM(04P)	CWZPM48BN33
BN35		nsp	nsp	WIRE ASS'Y		CWB1E907220BM
BN55		nsp	nsp	WIRE ASS'Y		CWB1C003220BM
BN91		nsp	nsp	WIRE ASS'Y		CWZPM4400BN91
BN92		nsp	nsp	WIRE ASS'Y		CWB1C004350BM
BN93		nsp	nsp	WIRE ASS'Y		CWZPM4200BN93
BN95		nsp	nsp	WIRE ASS'Y		CWB2B008300EN
JW36		nsp	nsp	WIRE (BLACK)		CWE8202060VV
JW52		nsp	nsp	WIRE ASS'Y	ST710388-5298T	CWZPM48JW52
JW61		nsp	nsp	WIRE ASS'Y		CWZAMC660JW52
JW91	/F	nsp	nsp	WIRE ASS'Y		CWEE212080VV
JW92	/F	nsp	nsp	WIRE ASS'Y		CWEE212080VV
JW93		nsp	nsp	WIRE (BLACK)	MOLEX-5298T	CWEE202110VV
JW94	/F	nsp	nsp	WIRE (BLUE)	MOLEX-5298T	CWEE201110VV
JW95	/N	nsp	nsp	WIRE (RED)	MOLEX-5298T	CWEE212110VV
JW96		nsp	nsp	WIRE, ASS'Y	MOMS POWER S/W	CWZPM48JW96
JW97		nsp	nsp	WIRE (RED)	MOLEX-5298T	CWEE212110VV
JW98	/F	nsp	nsp	WIRE (BLUE)	MOLEX-5298T	CWEE201110VV
JW99		nsp	nsp	WIRE ASS'Y		CWE8202120RV
				PACKING		
	/F	nsp	25AW851110	USER GUIDE	JAPANESE	CQX1A821Z
	/N	25AW851310	25AW851310	USER GUIDE	9 LANGUAGE	CQX1A820Z
		ZK350W0010	ZK350W0010	UNIT KIT	REMOTE CONTROLLER RC4200PM	HARTPM4200
				NOT STANDARD SPARE PART		
		nsp	25AW801010	BOX, OUT CARTON	PACKING CASE	CPG1A564V
		nsp	274W809010	PAD, SNOW	CUSHION	CPS1A451
37	BLACK	nsp	274W257010	CABINET, TOP	LID (KBC1A104)	CKC2B104S1
37	GOLD	nsp	274W257110	CABINET, TOP	LID	CKC2B104S45

NOTE : "nsp" PART IS LISTED FOR REFERENCE ONLY, MARANTZ WILL NOT SUPPLY THESE PARTS.

7. ELECTRICAL PARTS LIST

ASSIGNMENT OF COMMON PARTS CODES.

RESISTORS

R***: 1) GD05xxx140, Carbon film fixed resistor, ±5% 1/4W
 R***: 2) GD05xxx160, Carbon film fixed resistor, ±5% 1/6W

① — Resistance value

Examples ;

① Resistance value
 0.1 Ω 001 10 Ω 100 1 kΩ 102 100 kΩ 104
 0.5 Ω 005 18 Ω 180 2.7 kΩ 272 680 kΩ 684
 1 Ω 010 100 Ω 101 10 kΩ 103 1 MΩ 105
 6.8 Ω 068 390 Ω 391 22 kΩ 223 4.7 MΩ 475

Note : Please distinguish 1/4W from 1/6W by the shape of parts used actually.

CAPACITORS

C***: CERAMIC CAP.

3) DD1xxx370, Ceramic capacitor
 Disc type
 Temp.coeff.P350 ~N1000, 50V
 ② — Capacity value
 ③ — Tolerance

Examples ;

② Tolerance (Capacity deviation)
 ±0.25 pF 0
 ±0.5 pF 1
 ±5% 5

* Tolerance of COMMON PARTS handled here are as follows :

0.5 pF ~ 5 pF ±0.25 pF
 6 pF ~ 10 pF ±0.5 pF
 12 pF ~ 560 pF ±5%

③ Capacity value


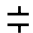
0.5 pF 005 3 pF 030 100 pF 101
 1 pF 010 10 pF 100 220 pF 221
 1.5 pF 015 47 pF 470 560 pF 561

C***: CERAMIC CAP.

4) DK16xxx300, High dielectric constant ceramic capacitor
 Disc type
 Temp.chara. 2B4, 50V
 ④ — Capacity value

Examples ;

④ Capacity value
 100 pF 101 1000 pF 102 10000 pF 103
 470 pF 471 2200 pF 222

C***: 5) ELECTROLY CAP. (), 6) FILM CAP. ()

5) EAxxx10, Electrolytic capacitor
 One-way lead type, Tolerance ±20%
 ⑤ — Capacity value
 ⑥ — Working voltage

Examples ;

⑤ Capacity value
 0.1 μF 104 4.7 μF 475 100 μF 107
 0.33 μF 334 10 μF 106 330 μF 337
 1 μF 105 22 μF 226 1100 μF 118
 2200 μF 228

⑥ Working voltage

6.3V 006 25V 025
 10V 010 35V 035
 16V 016 50V 050

6) DF15xxx350 — Plastic film capacitor
 DF15xxx310 — One-way type, Mylar ±5% 50V
 DF16xxx310 — Plastic film capacitor
 One-way type, Mylar ±10% 50V
 ⑦ — Capacity value

Examples ;

⑦ Capacity value
 0.001 μF (1000 pF) 102 0.1 μF 104
 0.0018 μF 182 0.56 μF 564
 0.01 μF 103 1 μF 105
 0.015 μF 153

NOTE : 1) The above CODES (R***, R***, C***, C*** and C***) are omitted on the schematic diagram in some case.

2) On the occasion, be confirmed the common parts on the parts list.

3) Refer to "Common Parts List" for the other common parts (R105, DD4, DK4).

NOTE ON SAFETY FOR FUSIBLE RESISTOR :

The suppliers and their type numbers of fusible resistors are as follows;

1. KOA Corporation

Part No. (MJI)	Type No. (KOA)	Description
NH05xxx140	RF25SxxxΩJ	(±5% 1/4W)
NH05xxx120	RF50SxxxΩJ	(±5% 1/2W)
NH85xxx110	RF73B2AxxxΩJ	(±5% 1/10W)
NH95xxx140	RF73B2ExxxΩJ	(±5% 1/4W)

* Resistance value Resistance value
 (0.1 Ω – 10 kΩ)

2. Matsushita Electronic Components Co., Ltd

Part No. (MJI)	Type No. (MEC)	Description
NF05xxx140	ERD-2FCJxxx	(±5% 1/4W)
RF05xxx140		
NF02xxx140	ERD-2FCGxxx	(±2% 1/4W)
RF02xxx140		

* Resistance value * Resistance value

Examples ;

* Resistance value
 0.1 Ω 001 10 Ω 100 1 kΩ 102 100 kΩ 104
 0.5 Ω 005 18 Ω 180 2.7 kΩ 272 680 kΩ 684
 1 Ω 010 100 Ω 101 10 kΩ 103 1 MΩ 105
 6.8 Ω 068 390 Ω 391 22 kΩ 223 4.7 MΩ 475



ABBREVIATION AND MARKS

ANT. : ANTENNA	BATT. : BATTERY
CAP. : CAPACITOR	CER. : CERAMIC
CONN. : CONNECTING	DIG. : DIGITAL
HP : HEADPHONE	MIC. : MICROPHONE
μ-PRO : MICROPROCESSOR	REC. : RECORDING
RES. : RESISTOR	SPK : SPEAKER
SW : SWITCH	TRANSF. : TRANSFORMER
TRIM. : TRIMMING	TRS. : TRANSISTOR
VAR. : VARIABLE	X'TAL : CRYSTAL


NOTE ON FUSE :

Regarding to all parts of parts code **FS20xxx2xx**, replace only with Wickmann-Werke GmbH, Type 372 non glass type fuse.

NOTE ON SAFETY :

Symbol  Fire or electrical shock hazard. Only original parts should be used to replaced any part marked with symbol . Any other component substitution (other than original type), may increase risk of fire or electrical shock hazard.

安全上の注意 :

 がついている部品は、安全上重要な部品です。必ず指定されている部品番号の部品を使用して下さい。

POS. NO	VERS. COLOR	PART NO. (FOR EUR)	PART NO. (MJI)	DESCRIPTION		
C101		nsp	nsp	CAP, CERAMIC	0.022µF 50V Z	HCBS1H223ZFT
C102		nsp	nsp	CAP, CERAMIC	0.022µF 50V Z	HCBS1H223ZFT
C103		nsp	nsp	CAP, CERAMIC	150pF 50V KB	CCKT1H151KB
C104		nsp	nsp	CAP, CERAMIC	150pF 50V KB	CCKT1H151KB
C105		nsp	OA10605020	CAP, ELECT	10µF 50V	HCEA1HH100T
C106		nsp	OA10605020	CAP, ELECT	10µF 50V	HCEA1HH100T
C107		nsp	nsp	CAP, CERAMIC	470pF 50V KB	CCKT1H471KB
C108		nsp	nsp	CAP, CERAMIC	470pF 50V KB	CCKT1H471KB
C109		nsp	OA47602520	CAP, ELECT	47µF 25V	HCEA1EH470T
C110		nsp	OA47602520	CAP, ELECT	47µF 25V	HCEA1EH470T
C111		nsp	nsp	CAP, MYLAR	0.047µF 50V J	HCQI1H473JZT
C112		nsp	nsp	CAP, MYLAR	0.047µF 50V J	HCQI1H473JZT
C113		nsp	nsp	CAP, MYLAR	0.012µF 50V J	HCQI1H123JZT
C114		nsp	nsp	CAP, MYLAR	0.012µF 50V J	HCQI1H123JZT
C115		nsp	nsp	CAP, MYLAR	1000pF 50V J	HCQI1H102JZT
C116		nsp	nsp	CAP, MYLAR	1000pF 50V J	HCQI1H102JZT
C117		nsp	OA10605020	CAP, ELECT	10µF 50V	HCEA1HH100T
C118		nsp	OA10605020	CAP, ELECT	10µF 50V	HCEA1HH100T
C119		nsp	nsp	CAP, MYLAR	3900pF 50V J	HCQI1H392JZT
C120		nsp	nsp	CAP, MYLAR	3900pF 50V J	HCQI1H392JZT
C121		nsp	OA10701620	CAP, ELECT	100µF 16V	HCEA1CH101T
C122		nsp	OA10701620	CAP, ELECT	100µF 16V	HCEA1CH101T
C201						
}		nsp	nsp	CAP, CERAMIC	0.022µF 50V Z	HCBS1H223ZFT
C214						
C221						
}		nsp	nsp	CAP, CERAMIC	150pF 50V K	HCBS1H151KBT
C234						
C251		nsp	nsp	CAP, CERAMIC	0.022µF 50V Z	HCBS1H223ZFT
C252		nsp	nsp	CAP, CERAMIC	0.022µF 50V Z	HCBS1H223ZFT
C253		nsp	nsp	CAP, CERAMIC	0.022µF 50V Z	HCBS1H223ZFT
C254		nsp	nsp	CAP, CERAMIC	0.022µF 50V Z	HCBS1H223ZFT
C255		nsp	OA47505020	CAP, ELECT	4.7µF 50V	HCEA1HH4R7T
C256		nsp	OA47505020	CAP, ELECT	4.7µF 50V	HCEA1HH4R7T
C281		nsp	nsp	CAP, CERAMIC	0.01µF 50V ZF	CCKT1H103ZF
C282		nsp	nsp	CAP, CERAMIC	0.01µF 50V ZF	CCKT1H103ZF
C283		nsp	nsp	CAP, CERAMIC	0.022µF 50V Z	HCBS1H223ZFT
C301		nsp	nsp	CAP, CERAMIC	270pF 50V KB	CCKT1H271KB
C302		nsp	nsp	CAP, CERAMIC	270pF 50V KB	CCKT1H271KB
C303		nsp	OA10605020	CAP, ELECT	10µF 50V	HCEA1HH100T
C304		nsp	OA10605020	CAP, ELECT	10µF 50V	HCEA1HH100T
C305		nsp	nsp	CAP, CERAMIC	47pF 50V JC	CCCT1H470JC
C306		nsp	nsp	CAP, CERAMIC	47pF 50V JC	CCCT1H470JC
C309		nsp	OA10701620	CAP, ELECT	100µF 16V	HCEA1CH101T
C310		nsp	OA10701620	CAP, ELECT	100µF 16V	HCEA1CH101T
C311		nsp	OA22605020	CAP, ELECT	22µF 50V	HCEA1EH220T
C312		nsp	OA22605020	CAP, ELECT	22µF 50V	HCEA1EH220T
C313		nsp	nsp	CAP, CERAMIC	5pF 50V CC	CCCT1H050CC
C314		nsp	nsp	CAP, CERAMIC	5pF 50V CC	CCCT1H050CC
C319		nsp	nsp	CAP, CERAMIC	150pF 50V KB	CCKT1H151KB
C320		nsp	nsp	CAP, CERAMIC	150pF 50V KB	CCKT1H151KB
C321		nsp	nsp	CAP, CERAMIC	10pF 50V DC	CCCT1H100DC
C322		nsp	nsp	CAP, CERAMIC	10pF 50V DC	CCCT1H100DC
C323		nsp	OA47602520	CAP, ELECT	47µF 25V	HCEA1EH470T
C324		nsp	OA47602520	CAP, ELECT	47µF 25V	HCEA1EH470T
C331		nsp	OA22705020	CAP, ELECT	220µF 50V	HCEA1HH221E
C332		nsp	OA22705020	CAP, ELECT	220µF 50V	HCEA1HH221E
C345		nsp	OA10701620	CAP, ELECT	100µF 16V	HCEA1CH101T
C346		nsp	OA10701620	CAP, ELECT	100µF 16V	HCEA1CH101T

NOTE : "nsp" PART IS LISTED FOR REFERENCE ONLY, MARANTZ WILL NOT SUPPLY THESE PARTS.

POS. NO	VERS. COLOR	PART NO. (FOR EUR)	PART NO. (MJI)	DESCRIPTION		
C347		nsp	nsp	CAP, CERAMIC	120pF 50V KB	CCKT1H121KB
C348		nsp	nsp	CAP, CERAMIC	120pF 50V KB	CCKT1H121KB
C349		nsp	nsp	CAP, CERAMIC	120pF 50V KB	CCKT1H121KB
C350		nsp	nsp	CAP, CERAMIC	120pF 50V KB	CCKT1H121KB
C367		nsp	nsp	CAP, MYLAR	0.047µF 50V J	HCQI1H473JZT
C368		nsp	nsp	CAP, MYLAR	0.047µF 50V J	HCQI1H473JZT
C373		nsp	nsp	CAP, MYLAR	0.01µF 50V J	HCQI1H103JZT
C374		nsp	nsp	CAP, MYLAR	0.01µF 50V J	HCQI1H103JZT
C379		nsp	OA47505020	CAP, ELECT	4.7µF 50V	HCEA1HH4R7T
C385		nsp	nsp	CAP, CERAMIC	0.01µF 50V ZF	CCKT1H103ZF
C391		nsp	nsp	CAP, MYLAR	0.01µF 50V J	HCQI1H103JZT
C392		nsp	nsp	CAP, MYLAR	0.01µF 50V J	HCQI1H103JZT
C393		nsp	nsp	CAP, MYLAR	0.01µF 50V J	HCQI1H103JZT
C394		nsp	nsp	CAP, MYLAR	0.01µF 50V J	HCQI1H103JZT
C501		nsp	nsp	CAP, MYLAR	0.039µF 50V J	HCQI1H393JZT
C502		nsp	nsp	CAP, MYLAR	0.039µF 50V J	HCQI1H393JZT
C503		nsp	nsp	CAP, MYLAR	6800pF 50V J	HCQI1H682JZT
C504		nsp	nsp	CAP, MYLAR	6800pF 50V J	HCQI1H682JZT
C507		nsp	OA10605020	CAP, ELECT	10µF 50V	HCEA1HH100T
C508		nsp	OA10605020	CAP, ELECT	10µF 50V	HCEA1HH100T
C509		*OF100180R	*OF100180R	CAP, METAL POLYESTER	0.12µF 63V K	KCQE1J124KXT
C510		*OF100180R	*OF100180R	CAP, METAL POLYESTER	0.12µF 63V K	KCQE1J124KXT
C511		*OF100360R	*OF100360R	CAP, METAL POLYESTER	63V 0.82µF	KCQE1J824KXT
C512		*OF100360R	*OF100360R	CAP, METAL POLYESTER	63V 0.82µF	KCQE1J824KXT
C521		nsp	nsp	CAP, MYLAR	1000pF 50V J	HCQI1H102JZT
C522		nsp	nsp	CAP, MYLAR	1000pF 50V J	HCQI1H102JZT
C523		nsp	nsp	CAP, MYLAR	0.1µF 50V J	HCQI1H104JZT
C524		nsp	nsp	CAP, MYLAR	0.1µF 50V J	HCQI1H104JZT
C527		nsp	nsp	CAP, CERAMIC	0.01µF 50V Z	HCBS1H103ZFT
C601		nsp	nsp	CAP, CERAMIC	0.01µF 50V Z	HCBS1H103ZFT
C602		nsp	nsp	CAP, CERAMIC	0.01µF 50V Z	HCBS1H103ZFT
C606		nsp	OA10605020	CAP, ELECT	10µF 50V	HCEA1HH100T
C611		nsp	OA22701620	CAP, ELECT	220µF 16V	HCEA1CH221T
C612		nsp	nsp	CAP, CERAMIC	0.01µF 50V Z	HCBS1H103ZFT
C613		nsp	OA22701620	CAP, ELECT	220µF 16V	HCEA1CH221T
C617		nsp	nsp	CAP, CERAMIC	100pF 50V K	HCBS1H101KBT
C618		nsp	nsp	CAP, CERAMIC	0.01µF 50V Z	HCBS1H103ZFT
C619		nsp	OA10605020	CAP, ELECT	10µF 50V	HCEA1HH100T
C620		nsp	nsp	CAP, CERAMIC	0.01µF 50V Z	HCBS1H103ZFT
C621		nsp	nsp	CAP, CERAMIC	0.01µF 50V Z	HCBS1H103ZFT
C622		nsp	OA22701620	CAP, ELECT	220µF 16V	HCEA1CH221T
C623		nsp	OA10605020	CAP, ELECT	10µF 50V	HCEA1HH100T
C625		nsp	nsp	CAP, CERAMIC	33pF 50V JC	CCCT1H330JC
C626		nsp	nsp	CAP, CERAMIC	33pF 50V JC	CCCT1H330JC
C627		nsp	nsp	CAP, CERAMIC	0.01µF 50V Z	HCBS1H103ZFT
C681		nsp	OA22701620	CAP, ELECT	220µF 16V	HCEA1CH221T
C687		nsp	OA10605020	CAP, ELECT	10µF 50V	HCEA1HH100T
C688		nsp	OA10605020	CAP, ELECT	10µF 50V	HCEA1HH100T
C691		nsp	nsp	CAP, MYLAR	0.01µF 50V J	HCQI1H103JZT
C692		nsp	nsp	CAP, MYLAR	0.01µF 50V J	HCQI1H103JZT
C693		nsp	nsp	CAP, CERAMIC	0.01µF 50V Z	HCBS1H103ZFT
C694		nsp	nsp	CAP, CERAMIC	0.01µF 50V Z	HCBS1H103ZFT
C695		nsp	nsp	CAP, CERAMIC	0.1µF 50V Z	HCBS1H104ZFT
C901		nsp	nsp	CAP, SEMI	0.1µF 50V ZF	CCFT1H104ZF
C902		nsp	nsp	CAP, SEMI	0.1µF 50V ZF	CCFT1H104ZF
C903		nsp	nsp	CAP, SEMI	0.1µF 50V ZF	CCFT1H104ZF
C905		*EA000840R	*EA000840R	CAP, ELECT	6.8µF 50V	KCETS50V682
C906		*EA000840R	*EA000840R	CAP, ELECT	6.8µF 50V	KCETS50V682
C911		nsp	nsp	CAP, MYLAR	0.01µF 50V J	HCQI1H103JZT

NOTE : *nsp* PART IS LISTED FOR REFERENCE ONLY, MARANTZ WILL NOT SUPPLY THESE PARTS.

POS. NO	VERS. COLOR	PART NO. (FOR EUR)	PART NO. (MJI)	DESCRIPTION		
C912		nsp	nsp	CAP, MYLAR	0.01µF 50V J	HCQI1H103JZT
C914		nsp	OA33505020	CAP, ELECT	3.3µF 50V	HCEA1HH3R3T
C917		nsp	OA22802520	CAP, ELECT	2200µF 25V	HCEA1EH222E
C918		nsp	OA22802520	CAP, ELECT	2200µF 25V	HCEA1EH222E
C919		nsp	OA47602520	CAP, ELECT	47µF 25V	HCEA1EH470T
C920		nsp	OA47602520	CAP, ELECT	47µF 25V	HCEA1EH470T
C921		nsp	OA10701620	CAP, ELECT	100µF 16V	HCEA1CH101T
C922		nsp	OA10701620	CAP, ELECT	100µF 16V	HCEA1CH101T
C923		nsp	OA47602520	CAP, ELECT	47µF 25V	HCEA1EH470T
C925		nsp	nsp	CAP, SEMI	0.1µF 50V ZF	CCFT1H104ZF
C926		nsp	OA22605020	CAP, ELECT	22µF 50V	HCEA1EH220T
C927		nsp	OA47602520	CAP, ELECT	47µF 25V	HCEA1EH470T
C928		nsp	nsp	CAP, CERAMIC	0.047µF 50V ZF	CCKT1H473ZF
C929		nsp	nsp	CAP, CERAMIC	0.047µF 50V ZF	CCKT1H473ZF
▲ C930		*DK100780R	*DK100780R	CAP, CERAMIC(KH TYPE) JP	DE1310-610E472M	BCKWKH472ME
C931		nsp	OA10802520	CAP, ELECT	1000µF 25V	HCEA1EH102E
C932		nsp	OA47602520	CAP, ELECT	47µF 25V	HCEA1EH470T
C933		nsp	nsp	CAP, CERAMIC	0.01µF 50V Z	HCBS1H103ZFT
C934		nsp	nsp	CAP, CERAMIC	0.022µF 50V Z	HCBS1H223ZFT
C935		DF17104630	DF17104630	CAP, LINE ACROSS	0.1µF 250V KD	BCQE2E104KDE
C936		nsp	nsp	CAP, CERAMIC	100pF 50V KB	CCKT1H101KB
CB51		nsp	nsp	WAFER		KJP09HA37ZM
CB53		nsp	nsp	WAFER		KJP04HA37ZM
CN12		nsp	nsp	WAFER		KJP04GA09ZG
CN31		nsp	nsp	WAFER	MOLEX 5267-03A	KJP03GA01ZM
CN32		nsp	nsp	WAFER		KJP03GA19ZM
CN33		nsp	nsp	WAFER	MOLEX 5267-04A	KJP04GA01ZM
CN35		nsp	nsp	WAFER	MOLEX 5267-07A	KJP07GA01ZM
CN37		nsp	nsp	WAFER	MOLEX 5267-02A	KJP02GA01ZM
CN38		nsp	nsp	WAFER	MOLEX 5267-02A	KJP02GA01ZM
CN51		nsp	nsp	WAFER		KJP09GF107ZM
CN53		nsp	nsp	WAFER		KJP04GF107ZM
CN55		nsp	nsp	WAFER	MOLEX 5268-03A	KJP03GB03ZM
CN91		nsp	nsp	WAFER		KJP06GB03ZM
CN92		nsp	nsp	WAFER		KJP04GB03ZM
CN93		nsp	nsp	WAFER	MOLEX 5267-05A	KJP05GA01ZM
CN95		nsp	nsp	WAFER	MOLEX53014-0810	KJP08GA19ZM
CN96		YP04000760	YP04000760	WAFER	MOLEX35328-02	KJP02GA89ZM
D251		nsp	HD20015210	DIODE	1SS133T-77	HVD1SS133MT
D252		nsp	HD20015210	DIODE	1SS133T-77	HVD1SS133MT
D323		HD30821000	HD30821000	DIODE, ZENER	8.2V 1/2W	HVDMTZJ8.2BT
D324		*HD302170R	*HD302170R	DIODE, ZENER	15V 1/2W	HVDMTZJ15BT
D331		nsp	HD20015210	DIODE	1SS133T-77	HVD1SS133MT
D332		nsp	HD20015210	DIODE	1SS133T-77	HVD1SS133MT
D333		nsp	HD20015210	DIODE	1SS133T-77	HVD1SS133MT
D334		nsp	HD20015210	DIODE	1SS133T-77	HVD1SS133MT
D373		nsp	HD20015210	DIODE	1SS133T-77	HVD1SS133MT
D374		nsp	HD20015210	DIODE	1SS133T-77	HVD1SS133MT
D383		nsp	HD20015210	DIODE	1SS133T-77	HVD1SS133MT
D388		nsp	HD20015210	DIODE	1SS133T-77	HVD1SS133MT
D391		nsp	HD20015210	DIODE	1SS133T-77	HVD1SS133MT
D392		nsp	HD20015210	DIODE	1SS133T-77	HVD1SS133MT
D601		nsp	HD20015210	DIODE	1SS133T-77	HVD1SS133MT
D606		nsp	HD20015210	DIODE	1SS133T-77	HVD1SS133MT
D613		nsp	HD20015210	DIODE	1SS133T-77	HVD1SS133MT
D621		nsp	HD20015210	DIODE	1SS133T-77	HVD1SS133MT
D622		nsp	HD20015210	DIODE	1SS133T-77	HVD1SS133MT
D623		nsp	HD20015210	DIODE	1SS133T-77	HVD1SS133MT
D651		*HI101040R	*HI101040R	L.E.D, RED	SLR342VCTB7T089	HVD342VCTB7T089

NOTE : *nsp* PART IS LISTED FOR REFERENCE ONLY, MARANTZ WILL NOT SUPPLY THESE PARTS.

POS. NO	VERS. COLOR	PART NO. (FOR EUR)	PART NO. (MJ)	DESCRIPTION		
D652						
		*HI101040R	*HI101040R	L.E.D, RED	SLR342VCTB7T089	HVD342VCTB7T089
D657						
D675		*HI101040R	*HI101040R	L.E.D, RED	SLR342VCTB7T089	HVD342VCTB7T089
D676		*HI101040R	*HI101040R	L.E.D, RED	SLR342VCTB7T089	HVD342VCTB7T089
D901		*HE200330R	*HE200330R	DIODE, BRIDGE	BU804F	HVDKBU804F
D911		nsp	*HD201730R	DIODE	1N4003	KVD1N4003ST
D912		nsp	*HD201730R	DIODE	1N4003	KVD1N4003ST
D913		nsp	*HD201730R	DIODE	1N4003	KVD1N4003ST
D914		nsp	*HD201730R	DIODE	1N4003	KVD1N4003ST
D915		nsp	HD20015210	DIODE	1SS133T-77	HVD1SS133MT
D921		*HD302170R	*HD302170R	DIODE, ZENER	15V 1/2W	HVDMTZJ15BT
D922		nsp	HD20015210	DIODE	1SS133T-77	HVD1SS133MT
D923		nsp	HD20015210	DIODE	1SS133T-77	HVD1SS133MT
D924		nsp	HD20015210	DIODE	1SS133T-77	HVD1SS133MT
D925		HD30621000	HD30621000	DIODE, ZENER	6.2V 1/2W	HVDMTZJ6.2BT
D926		nsp	*HD201750R	DIODE TW	1N4003	KVD1N4003SRT
D927		nsp	HD20015210	DIODE	1SS133T-77	HVD1SS133MT
D928		nsp	*HD201750R	DIODE TW	1N4003	KVD1N4003SRT
D929		nsp	HD20015210	DIODE	1SS133T-77	HVD1SS133MT
ET01		nsp	nsp	PLATE, EARTH		CNE75
F901	/N	nsp	nsp	HOLDER, FUSE		KJCF5S
▲ F901	/N	*FS001050R	*FS001050R	FUSE	T1.6A 250V	KBA2C1600TLEZ
F902	/F	nsp	nsp	HOLDER, FUSE		KJCF5S
▲ F902	/F	nsp	*FS001060R	FUSE	T3.15A 250V	KBA2C3150TLEZ
IC11		HC10053090	HC10053090	IC, OP AMP	NJM2068DD	HVINJM2068DD
IC21		HC10309030	HC10309030	IC, FUNCTION	LC78212	HVILC78212
IC22		HC10309030	HC10309030	IC, FUNCTION	LC78212	HVILC78212
IC31		*HC108380R	*HC108380R	IC, VOLTAGE AMP	AN7062N	BVIAN7062N
IC61		*HU100670R	*HU100670R	IC, O.T.P	M37531E4FP	HVIM37531E4FP
IC93		*HC300480R	*HC300480R	IC, REGULATOR	KA7815-ABTU	HVIMC7815C
IC94		*HC300490R	*HC300490R	IC, REGULATOR	KA7915-ABTU	HVIMC7915C
IC95		*HC300500R	*HC300500R	IC, REGULATOR	KA7805-ABTU	HVIMC7805C
IC96		*HC300500R	*HC300500R	IC, REGULATOR	KA7805-ABTU	HVIMC7805C
JK11		*YT003130R	*YT003130R	JACK, IN/OUT	CINCH 2P AUDIO	CJJ4N034Z
JK12		*YT003140R	*YT003140R	JACK, IN/OUT	CINCH 4P AUDIO	CJJ4P028Z
JK13		*YT003140R	*YT003140R	JACK, IN/OUT	CINCH 4P AUDIO	CJJ4P028Z
JK14		*YT003140R	*YT003140R	JACK, IN/OUT	CINCH 4P AUDIO	CJJ4P028Z
JK15		*YT003130R	*YT003130R	JACK, IN/OUT	CINCH 2P AUDIO	CJJ4N034Z
JK31		*YT002990R	*YT002990R	TERMINAL, SPEAKER		CJJ5Q006Z
JK61		*YT001820R	*YT001820R	JACK, PHONE		HJJ2E018Z
JK91		*YT003120R	*YT003120R	JACK, IN/OUT	CINCH 2P REMOTE	CJJ4N036Z
L363		*LC107310R	*LC107310R	COIL, SPEAKER	0.5UH K	CLEY0R5KAK
L364		*LC107310R	*LC107310R	COIL, SPEAKER	0.5UH K	CLEY0R5KAK
▲ OL92	/F	nsp	*YT003150R	OUTLET, 3PIN USA	A206D0051P(3P)	KJJ7A011Z
Q281		*HT800080R	*HT800080R	TRS MUTE	KTC2874B	HVTKTC2874BT
Q282		*HT800080R	*HT800080R	TRS MUTE	KTC2874B	HVTKTC2874BT
Q325		*HT600020R	*HT600020R	TRS	KTA1268GR	HVTKTA1268GRT
Q326		*HT600020R	*HT600020R	TRS	KTA1268GR	HVTKTA1268GRT
Q335		*HT800060R	*HT800060R	TRS	KTC3200GR	HVTKTC3200GRT
Q336		*HT800060R	*HT800060R	TRS	KTC3200GR	HVTKTC3200GRT
Q345		HT334191Y0	HT334191Y0	TRS	2SC3419Y	HVT2SC3419Y
Q346		HT334191Y0	HT334191Y0	TRS	2SC3419Y	HVT2SC3419Y
Q347		*HT800060R	*HT800060R	TRS	KTC3200GR	HVTKTC3200GRT
Q348		*HT800060R	*HT800060R	TRS	KTC3200GR	HVTKTC3200GRT
Q349		*HT600020R	*HT600020R	TRS	KTA1268GR	HVTKTA1268GRT
Q350		*HT600020R	*HT600020R	TRS	KTA1268GR	HVTKTA1268GRT
Q351		*HT300940R	*HT300940R	TRS DRIVER	2SC4883A	HVT2SC4883A
Q352		*HT300940R	*HT300940R	TRS DRIVER	2SC4883A	HVT2SC4883A

NOTE : *nsp* PART IS LISTED FOR REFERENCE ONLY, MARANTZ WILL NOT SUPPLY THESE PARTS.

POS. NO	VERS. COLOR	PART NO. (FOR EUR)	PART NO. (MJI)	DESCRIPTION		
Q353		*HT100690R	*HT100690R	TRS DRIVER	2SA1859A	HVT2SA1859A
Q354		*HT100690R	*HT100690R	TRS DRIVER	2SA1859A	HVT2SA1859A
Q355		*HT300950R	*HT300950R	TRS POWER	2SC4467	HVT2SC4467-OKM
Q356		*HT300950R	*HT300950R	TRS POWER	2SC4467	HVT2SC4467-OKM
Q357		*HT100700R	*HT100700R	TRS POWER	2SA1694	HVT2SA1694-OKM
Q358		*HT100700R	*HT100700R	TRS POWER	2SA1694	HVT2SA1694-OKM
Q371		*HT300590R	*HT300590R	TRS	KSC2785Y	KVTKSC2785YT
Q372		*HT300590R	*HT300590R	TRS	KSC2785Y	KVTKSC2785YT
Q379		*HT100390R	*HT100390R	TRS	KSA1175Y	KVTKSA1175YT
Q385		*HT300590R	*HT300590R	TRS	KSC2785Y	KVTKSC2785YT
Q386		*HT100390R	*HT100390R	TRS	KSA1175Y	KVTKSA1175YT
Q391		*HT100390R	*HT100390R	TRS	KSA1175Y	KVTKSA1175YT
Q392		*HT300590R	*HT300590R	TRS	KSC2785Y	KVTKSC2785YT
Q393		*HT300590R	*HT300590R	TRS	KSC2785Y	KVTKSC2785YT
Q394		*HT300590R	*HT300590R	TRS	KSC2785Y	KVTKSC2785YT
Q603		*HT300590R	*HT300590R	TRS	KSC2785Y	KVTKSC2785YT
Q604		*HT300590R	*HT300590R	TRS	KSC2785Y	KVTKSC2785YT
Q605		*HT300590R	*HT300590R	TRS	KSC2785Y	KVTKSC2785YT
Q613		*HT100390R	*HT100390R	TRS	KSA1175Y	KVTKSA1175YT
Q617		*HT300590R	*HT300590R	TRS	KSC2785Y	KVTKSC2785YT
Q631		*BA001450R	*BA001450R	TRS	KRA107M	HVTKRA107MT
Q634		*BA001450R	*BA001450R	TRS	KRA107M	HVTKRA107MT
Q635		*BA001450R	*BA001450R	TRS	KRA107M	HVTKRA107MT
Q636		*BA001450R	*BA001450R	TRS	KRA107M	HVTKRA107MT
Q683		*HT900080R	*HT900080R	TRS	KSD1021Y	HVTKSD1021YT
Q684		*HT900080R	*HT900080R	TRS	KSD1021Y	HVTKSD1021YT
Q687		*HT700060R	*HT700060R	TRS	KSB811Y	HVTKSB811YT
Q688		*HT700060R	*HT700060R	TRS	KSB811Y	HVTKSB811YT
Q689		*BA001460R	*BA001460R	TRS	KRC107M	HVTKRC107MT
Q690		*BA001460R	*BA001460R	TRS	KRC107M	HVTKRC107MT
Q691		*BA001460R	*BA001460R	TRS	KRC107M	HVTKRC107MT
Q921		*HT800040R	*HT800040R	TRS	KSC2316Y	HVTKSC2316YT
Q922		*HT800050R	*HT800050R	TRS	KTC3198Y	HVTKTC3198YT
Q923		*HT800050R	*HT800050R	TRS	KTC3198Y	HVTKTC3198YT
Q924		*BA001450R	*BA001450R	TRS	KRA107M	HVTKRA107MT
Q925		*HT800070R	*HT800070R	TRS	KTC3203Y	HVTKTC3203YT
R101		nsp	nsp	RES, CARBON	1kΩ 1/5W J	CRD20TJ102T
R102		nsp	nsp	RES, CARBON	1kΩ 1/5W J	CRD20TJ102T
R103		nsp	nsp	RES, CARBON	100kΩ 1/5W J	CRD20TJ104T
R104		nsp	nsp	RES, CARBON	100kΩ 1/5W J	CRD20TJ104T
R105		nsp	nsp	RES, CARBON	100kΩ 1/5W J	CRD20TJ104T
R106		nsp	nsp	RES, CARBON	100kΩ 1/5W J	CRD20TJ104T
R109		nsp	nsp	RES, CARBON	130Ω 1/5W J	CRD20TJ131T
R110		nsp	nsp	RES, CARBON	130Ω 1/5W J	CRD20TJ131T
R111		nsp	nsp	RES, CARBON	100kΩ 1/5W J	CRD20TJ104T
R112		nsp	nsp	RES, CARBON	100kΩ 1/5W J	CRD20TJ104T
R113		nsp	nsp	RES, CARBON	5.6kΩ 1/5W J	CRD20TJ562T
R114		nsp	nsp	RES, CARBON	5.6kΩ 1/5W J	CRD20TJ562T
R115		nsp	nsp	RES, CARBON	100Ω 1/5W J	CRD20TJ101T
R116		nsp	nsp	RES, CARBON	100Ω 1/5W J	CRD20TJ101T
R117		nsp	nsp	RES, CARBON	220Ω 1/5W J	CRD20TJ221T
R118		nsp	nsp	RES, CARBON	220Ω 1/5W J	CRD20TJ221T
R119		nsp	nsp	RES, CARBON	47kΩ 1/5W J	CRD20TJ473T
R120		nsp	nsp	RES, CARBON	47kΩ 1/5W J	CRD20TJ473T
R121		nsp	nsp	RES, CARBON	47Ω 1/5W J	CRD20TJ470T
R122		nsp	nsp	RES, CARBON	47Ω 1/5W J	CRD20TJ470T
R201						
∫		nsp	nsp	RES, CARBON	10Ω 1/5W J	CRD20TJ100T
R214						

NOTE : "nsp" PART IS LISTED FOR REFERENCE ONLY, MARANTZ WILL NOT SUPPLY THESE PARTS.

POS. NO	VERS. COLOR	PART NO. (FOR EUR)	PART NO. (MJ)	DESCRIPTION		
R221						
		nsp	nsp	RES, CARBON	1M Ω 1/5W J	CRD20TJ105T
R234						
R235		nsp	nsp	RES, CARBON	100 Ω 1/5W J	CRD20TJ101T
R236		nsp	nsp	RES, CARBON	100 Ω 1/5W J	CRD20TJ101T
R237		nsp	nsp	RES, CARBON	100 Ω 1/5W J	CRD20TJ101T
R238		nsp	nsp	RES, CARBON	100 Ω 1/5W J	CRD20TJ101T
R251		nsp	nsp	RES, CARBON	120 Ω 1/5W J	CRD20TJ121T
R252		nsp	nsp	RES, CARBON	120 Ω 1/5W J	CRD20TJ121T
R253		nsp	nsp	RES, CARBON	120 Ω 1/5W J	CRD20TJ121T
R254		nsp	nsp	RES, CARBON	120 Ω 1/5W J	CRD20TJ121T
R255		nsp	nsp	RES, CARBON	10k Ω 1/5W J	CRD20TJ103T
R256		nsp	nsp	RES, CARBON	10k Ω 1/5W J	CRD20TJ103T
R258		nsp	nsp	RES, CARBON	10k Ω 1/5W J	CRD20TJ103T
R271		nsp	nsp	RES, CARBON	220 Ω 1/5W J	CRD20TJ221T
R272		nsp	nsp	RES, CARBON	220 Ω 1/5W J	CRD20TJ221T
R273		nsp	nsp	RES, CARBON	120 Ω 1/5W J	CRD20TJ121T
R274		nsp	nsp	RES, CARBON	120 Ω 1/5W J	CRD20TJ121T
R275		nsp	nsp	RES, CARBON	120 Ω 1/5W J	CRD20TJ121T
R281		nsp	nsp	RES, CARBON	470k Ω 1/5W J	CRD20TJ474T
R282		nsp	nsp	RES, CARBON	470k Ω 1/5W J	CRD20TJ474T
R283		nsp	nsp	RES, CARBON	1M Ω 1/5W J	CRD20TJ105T
R284		nsp	nsp	RES, CARBON	10k Ω 1/5W J	CRD20TJ103T
R301		nsp	nsp	RES, CARBON	100 Ω 1/5W J	CRD20TJ101T
R302		nsp	nsp	RES, CARBON	100 Ω 1/5W J	CRD20TJ101T
R303		nsp	nsp	RES, CARBON	10 Ω 1/5W J	CRD20TJ100T
R304		nsp	nsp	RES, CARBON	10 Ω 1/5W J	CRD20TJ100T
R305		nsp	nsp	RES, CARBON	47k Ω 1/5W J	CRD20TJ473T
R306		nsp	nsp	RES, CARBON	47k Ω 1/5W J	CRD20TJ473T
R307		nsp	nsp	RES, CARBON	33k Ω 1/5W J	CRD20TJ333T
R308		nsp	nsp	RES, CARBON	33k Ω 1/5W J	CRD20TJ333T
R309		nsp	nsp	RES, CARBON	560 Ω 1/5W J	CRD20TJ561T
R310		nsp	nsp	RES, CARBON	560 Ω 1/5W J	CRD20TJ561T
R311		nsp	nsp	RES, CARBON	8.2k Ω 1/5W J	CRD20TJ822T
R312		nsp	nsp	RES, CARBON	8.2k Ω 1/5W J	CRD20TJ822T
R313		nsp	nsp	RES, CARBON	6.8k Ω 1/5W J	CRD20TJ682T
R314		nsp	nsp	RES, CARBON	6.8k Ω 1/5W J	CRD20TJ682T
R315		nsp	nsp	RES, CARBON	56k Ω 1/5W J	CRD20TJ563T
R316		nsp	nsp	RES, CARBON	56k Ω 1/5W J	CRD20TJ563T
R317		nsp	nsp	RES, CARBON	33k Ω 1/5W J	CRD20TJ333T
R318		nsp	nsp	RES, CARBON	33k Ω 1/5W J	CRD20TJ333T
R319		nsp	nsp	RES, CARBON	1k Ω 1/5W J	CRD20TJ102T
R320		nsp	nsp	RES, CARBON	1k Ω 1/5W J	CRD20TJ102T
R321		nsp	nsp	RES, CARBON	10k Ω 1/5W J	CRD20TJ103T
R322		nsp	nsp	RES, CARBON	10k Ω 1/5W J	CRD20TJ103T
R324		nsp	nsp	RES, CARBON	4.7k Ω	KRD25FJ472T
R325		nsp	nsp	RES, CARBON	4.7k Ω	KRD25FJ472T
R327		nsp	nsp	RES, CARBON	100 Ω	KRD25FJ101T
R328		nsp	nsp	RES, CARBON	100 Ω	KRD25FJ101T
R331		nsp	nsp	RES, CARBON	100k Ω 1/5W J	CRD20TJ104T
R332		nsp	nsp	RES, CARBON	100k Ω 1/5W J	CRD20TJ104T
R333		nsp	nsp	RES, CARBON	68k Ω 1/5W J	CRD20TJ683T
R334		nsp	nsp	RES, CARBON	68k Ω 1/5W J	CRD20TJ683T
R335		nsp	nsp	RES, CARBON	120 Ω 1/5W J	CRD20TJ121T
R336		nsp	nsp	RES, CARBON	120 Ω 1/5W J	CRD20TJ121T
R337		nsp	nsp	RES, CARBON	10 Ω	KRD25FJ100T
R338		nsp	nsp	RES, CARBON	10 Ω	KRD25FJ100T
R341		nsp	nsp	RES, CARBON	330 Ω 1/5W J	CRD20TJ331T
R342		nsp	nsp	RES, CARBON	330 Ω 1/5W J	CRD20TJ331T

NOTE : *nsp* PART IS LISTED FOR REFERENCE ONLY, MARANTZ WILL NOT SUPPLY THESE PARTS.

POS. NO	VERS. COLOR	PART NO. (FOR EUR)	PART NO. (MJI)	DESCRIPTION		
R343		nsp	nsp	RES, CARBON	1.2kΩ 1/5W J	CRD20TJ122T
R344		nsp	nsp	RES, CARBON	1.2kΩ 1/5W J	CRD20TJ122T
R345		nsp	nsp	RES, CARBON	330Ω 1/5W J	CRD20TJ331T
R346		nsp	nsp	RES, CARBON	330Ω 1/5W J	CRD20TJ331T
R347		nsp	nsp	RES, CARBON	100Ω	KRD25FJ101T
R348		nsp	nsp	RES, CARBON	100Ω	KRD25FJ101T
R349		nsp	nsp	RES, CARBON	100Ω	KRD25FJ101T
R350		nsp	nsp	RES, CARBON	100Ω	KRD25FJ101T
R351		nsp	nsp	RES, CARBON	1kΩ	KRD25FJ102T
R352		nsp	nsp	RES, CARBON	1kΩ	KRD25FJ102T
R353		nsp	nsp	RES, METAL OXIDE FILM	330Ω	CRG1ANJ331H
R354		nsp	nsp	RES, METAL OXIDE FILM	330Ω	CRG1ANJ331H
R355		nsp	nsp	RES, CARBON	1Ω	KRD25FJ1R0T
R356		nsp	nsp	RES, CARBON	1Ω	KRD25FJ1R0T
R357		nsp	nsp	RES, CARBON	1Ω	KRD25FJ1R0T
R358		nsp	nsp	RES, CARBON	1Ω	KRD25FJ1R0T
R359		*GO000005R	*GO000005R	RES, CEMENT	0.22Ω 5W K	KRF5EKR22H
R360		*GO000005R	*GO000005R	RES, CEMENT	0.22Ω 5W K	KRF5EKR22H
R361		*GO000005R	*GO000005R	RES, CEMENT	0.22Ω 5W K	KRF5EKR22H
R362		*GO000005R	*GO000005R	RES, CEMENT	0.22Ω 5W K	KRF5EKR22H
R363		nsp	nsp	RES, CARBON	100Ω	KRD25FJ101T
R364		nsp	nsp	RES, CARBON	100Ω	KRD25FJ101T
R365		nsp	nsp	RES, CARBON	100Ω	KRD25FJ101T
R366		nsp	nsp	RES, CARBON	100Ω	KRD25FJ101T
R367		nsp	nsp	RES, METAL OXIDE FILM	10Ω	CRG1ANJ100H
R368		nsp	nsp	RES, METAL OXIDE FILM	10Ω	CRG1ANJ100H
R371		nsp	nsp	RES, CARBON	1kΩ 1/5W J	CRD20TJ102T
R372		nsp	nsp	RES, CARBON	1kΩ 1/5W J	CRD20TJ102T
R373		nsp	nsp	RES, CARBON	22kΩ 1/5W J	CRD20TJ223T
R374		nsp	nsp	RES, CARBON	22kΩ 1/5W J	CRD20TJ223T
R375		nsp	nsp	RES, CARBON	1.8kΩ 1/5W J	CRD20TJ182T
R376		nsp	nsp	RES, CARBON	1.8kΩ 1/5W J	CRD20TJ182T
R377		nsp	nsp	RES, CARBON	22kΩ 1/5W J	CRD20TJ223T
R378		nsp	nsp	RES, CARBON	22kΩ 1/5W J	CRD20TJ223T
R379		nsp	nsp	RES, CARBON	6.8kΩ 1/5W J	CRD20TJ682T
R381		nsp	nsp	RES, CARBON	33kΩ 1/5W J	CRD20TJ333T
R382		nsp	nsp	RES, CARBON	33kΩ 1/5W J	CRD20TJ333T
R383		nsp	nsp	RES, CARBON	33kΩ 1/5W J	CRD20TJ333T
R385		nsp	nsp	RES, CARBON	10kΩ 1/5W J	CRD20TJ103T
R386		nsp	nsp	RES, CARBON	10kΩ 1/5W J	CRD20TJ103T
R387		nsp	nsp	RES, CARBON	10kΩ 1/5W J	CRD20TJ103T
R388		nsp	nsp	RES, CARBON	33kΩ 1/5W J	CRD20TJ333T
R389		nsp	nsp	RES, CARBON	33kΩ 1/5W J	CRD20TJ333T
R390		nsp	nsp	RES, CARBON	100Ω	KRD25FJ101T
R391		nsp	nsp	RES, CARBON	33kΩ 1/5W J	CRD20TJ333T
R392		nsp	nsp	RES, CARBON	10kΩ 1/5W J	CRD20TJ103T
R393		nsp	nsp	RES, CARBON	10kΩ 1/5W J	CRD20TJ103T
R394		nsp	nsp	RES, CARBON	47kΩ 1/5W J	CRD20TJ473T
R395		nsp	nsp	RES, CARBON	10kΩ 1/5W J	CRD20TJ103T
R396		nsp	nsp	RES, CARBON	47kΩ 1/5W J	CRD20TJ473T
R397		nsp	nsp	RES, CARBON	10kΩ 1/5W J	CRD20TJ103T
R398		nsp	nsp	RES, CARBON	47kΩ 1/5W J	CRD20TJ473T
R399		nsp	nsp	RES, CARBON	100Ω 1/5W J	CRD20TJ101T
R400		nsp	nsp	RES, CARBON	100Ω 1/5W J	CRD20TJ101T
R501		nsp	nsp	RES, CARBON	120Ω 1/5W J	CRD20TJ121T
R502		nsp	nsp	RES, CARBON	120Ω 1/5W J	CRD20TJ121T
R503		nsp	nsp	RES, CARBON	820Ω 1/5W J	CRD20TJ821T
R504		nsp	nsp	RES, CARBON	820Ω 1/5W J	CRD20TJ821T
R505		nsp	nsp	RES, CARBON	68Ω 1/5W J	CRD20TJ680T

NOTE : "nsp" PART IS LISTED FOR REFERENCE ONLY, MARANTZ WILL NOT SUPPLY THESE PARTS.

POS. NO	VERS. COLOR	PART NO. (FOR EUR)	PART NO. (MJI)	DESCRIPTION		
R506		nsp	nsp	RES, CARBON	68Ω 1/5W J	CRD20TJ680T
R507		nsp	nsp	RES, CARBON	5.6kΩ 1/5W J	CRD20TJ562T
R508		nsp	nsp	RES, CARBON	5.6kΩ 1/5W J	CRD20TJ562T
R511		nsp	nsp	RES, CARBON	10kΩ 1/5W J	CRD20TJ103T
R512		nsp	nsp	RES, CARBON	10kΩ 1/5W J	CRD20TJ103T
R513		nsp	nsp	RES, CARBON	820Ω 1/5W J	CRD20TJ821T
R514		nsp	nsp	RES, CARBON	820Ω 1/5W J	CRD20TJ821T
R521		nsp	nsp	RES, CARBON	47kΩ 1/5W J	CRD20TJ473T
R522		nsp	nsp	RES, CARBON	47kΩ 1/5W J	CRD20TJ473T
R523		nsp	nsp	RES, CARBON	5.6kΩ 1/5W J	CRD20TJ562T
R524		nsp	nsp	RES, CARBON	5.6kΩ 1/5W J	CRD20TJ562T
R525		nsp	nsp	RES, CARBON	15kΩ 1/5W J	CRD20TJ153T
R526		nsp	nsp	RES, CARBON	15kΩ 1/5W J	CRD20TJ153T
R601		nsp	nsp	RES, CARBON	22kΩ 1/5W J	CRD20TJ223T
R602		nsp	nsp	RES, CARBON	10kΩ 1/5W J	CRD20TJ103T
R603		nsp	nsp	RES, CARBON	22kΩ 1/5W J	CRD20TJ223T
R604		nsp	nsp	RES, CARBON	4.7kΩ 1/5W J	CRD20TJ472T
R605		nsp	nsp	RES, CARBON	2.2kΩ 1/5W J	CRD20TJ222T
R606		nsp	nsp	RES, CARBON	100Ω 1/5W J	CRD20TJ101T
R607		nsp	nsp	RES, CARBON	47kΩ 1/5W J	CRD20TJ473T
R608		nsp	nsp	RES, CARBON	22kΩ 1/5W J	CRD20TJ223T
R611		nsp	nsp	RES, CARBON	100Ω 1/5W J	CRD20TJ101T
R612		nsp	nsp	RES, CARBON	100Ω 1/5W J	CRD20TJ101T
R613		nsp	nsp	RES, CARBON	10kΩ 1/5W J	CRD20TJ103T
R614		nsp	nsp	RES, CARBON	10kΩ 1/5W J	CRD20TJ103T
R615		nsp	nsp	RES, CARBON	47kΩ 1/5W J	CRD20TJ473T
R616		nsp	nsp	RES, CARBON	22kΩ 1/5W J	CRD20TJ223T
R617		nsp	nsp	RES, CARBON	22kΩ 1/5W J	CRD20TJ223T
R618		nsp	nsp	RES, CARBON	10Ω 1/5W J	CRD20TJ100T
R619		nsp	nsp	RES, CARBON	10kΩ 1/5W J	CRD20TJ103T
R620		nsp	nsp	RES, CARBON	10Ω 1/5W J	CRD20TJ100T
R621		nsp	nsp	RES, CARBON	470kΩ 1/5W J	CRD20TJ474T
R622		nsp	nsp	RES, CARBON	100Ω 1/5W J	CRD20TJ101T
R635		nsp	nsp	RES, CARBON	4.7kΩ 1/5W J	CRD20TJ472T
R636		nsp	nsp	RES, CARBON	4.7kΩ 1/5W J	CRD20TJ472T
R637		nsp	nsp	RES, CARBON	4.7kΩ 1/5W J	CRD20TJ472T
R651		nsp	nsp	RES, CARBON	470kΩ 1/5W J	CRD20TJ474T
R652		nsp	nsp	RES, CARBON	470kΩ 1/5W J	CRD20TJ474T
R653		nsp	nsp	RES, CARBON	470kΩ 1/5W J	CRD20TJ474T
R654		nsp	nsp	RES, CARBON	470kΩ 1/5W J	CRD20TJ474T
R655		nsp	nsp	RES, CARBON	470kΩ 1/5W J	CRD20TJ474T
R656		nsp	nsp	RES, CARBON	470kΩ 1/5W J	CRD20TJ474T
R657		nsp	nsp	RES, CARBON	470kΩ 1/5W J	CRD20TJ474T
R658		nsp	nsp	RES, CARBON	390Ω 1/5W J	CRD20TJ391T
R659		nsp	nsp	RES, CARBON	390Ω 1/5W J	CRD20TJ391T
R675		nsp	nsp	RES, CARBON	390Ω 1/5W J	CRD20TJ391T
R681		nsp	nsp	RES, CARBON	10Ω 1/5W J	CRD20TJ100T
R683		nsp	nsp	RES, CARBON	4.7kΩ 1/5W J	CRD20TJ472T
R684		nsp	nsp	RES, CARBON	4.7kΩ 1/5W J	CRD20TJ472T
R685		nsp	nsp	RES, CARBON	47kΩ 1/5W J	CRD20TJ473T
R686		nsp	nsp	RES, CARBON	47kΩ 1/5W J	CRD20TJ473T
R687		nsp	nsp	RES, CARBON	4.7kΩ 1/5W J	CRD20TJ472T
R688		nsp	nsp	RES, CARBON	4.7kΩ 1/5W J	CRD20TJ472T
R689		nsp	nsp	RES, CARBON	7.5kΩ 1/5W J	CRD20TJ752T
R690		nsp	nsp	RES, CARBON	5.6kΩ 1/5W J	CRD20TJ562T
R691		nsp	nsp	RES, METAL OXIDE FILM	330Ω	CRG1ANJ331H
R692		nsp	nsp	RES, METAL OXIDE FILM	330Ω	CRG1ANJ331H
R693		nsp	nsp	RES, CARBON	3.3kΩ 1/5W J	CRD20TJ332T
R694		nsp	nsp	RES, CARBON	2.7kΩ 1/5W J	CRD20TJ272T

NOTE : *nsp* PART IS LISTED FOR REFERENCE ONLY, MARANTZ WILL NOT SUPPLY THESE PARTS.

POS. NO	VERS. COLOR	PART NO. (FOR EUR)	PART NO. (MJI)	DESCRIPTION		
R695		nsp	nsp	RES, CARBON	1.8kΩ 1/5W J	CRD20TJ182T
R696		nsp	nsp	RES, CARBON	1.5kΩ 1/5W J	CRD20TJ152T
R697		nsp	nsp	RES, CARBON	1kΩ 1/5W J	CRD20TJ102T
R698		nsp	nsp	RES, CARBON	390Ω 1/5W J	CRD20TJ391T
R699		nsp	nsp	RES, CARBON	22kΩ 1/5W J	CRD20TJ223T
R700		nsp	nsp	RES, CARBON	22kΩ 1/5W J	CRD20TJ223T
R701		nsp	nsp	RES, CARBON	10kΩ 1/5W J	CRD20TJ103T
R702		nsp	nsp	RES, CARBON	22kΩ 1/5W J	CRD20TJ223T
R703		nsp	nsp	RES, CARBON	5.6kΩ 1/5W J	CRD20TJ562T
R901		nsp	nsp	RES, CARBON	4.7kΩ	KRD25FJ472T
R905		nsp	nsp	RES, CARBON	22kΩ 1/4W J	CRD25TJ223T
R906		nsp	nsp	RES, CARBON	22kΩ 1/4W J	CRD25TJ223T
R911		*NH000080R	*NH000080R	RES, FUSE	0.47Ω 1W J	KRQ1AJR47H
R912		*NH000080R	*NH000080R	RES, FUSE	0.47Ω 1W J	KRQ1AJR47H
R913		nsp	nsp	RES, CARBON	4.7kΩ 1/5W J	CRD20TJ472T
R914		nsp	nsp	RES, CARBON	22kΩ 1/5W J	CRD20TJ223T
R915		nsp	nsp	RES, CARBON	47kΩ 1/5W J	CRD20TJ473T
R919		nsp	nsp	RES, CARBON	22kΩ 1/5W J	CRD20TJ223T
R920		nsp	nsp	RES, CARBON	22kΩ 1/5W J	CRD20TJ223T
R921		nsp	nsp	RES, CARBON	1.2kΩ 1/5W J	CRD20TJ122T
R922		nsp	nsp	RES, CARBON	1kΩ 1/5W J	CRD20TJ102T
R923		nsp	nsp	RES, CARBON	33kΩ 1/5W J	CRD20TJ333T
R924		nsp	nsp	RES, CARBON	22kΩ 1/5W J	CRD20TJ223T
R925		nsp	nsp	RES, CARBON	22kΩ 1/5W J	CRD20TJ223T
R926		nsp	nsp	RES, CARBON	22kΩ 1/5W J	CRD20TJ223T
R927		nsp	nsp	RES, CARBON	10kΩ 1/5W J	CRD20TJ103T
R928		nsp	nsp	RES, CARBON	10kΩ 1/5W J	CRD20TJ103T
R929		nsp	nsp	RES, CARBON	10kΩ 1/5W J	CRD20TJ103T
R930		nsp	nsp	RES, CARBON	10kΩ 1/5W J	CRD20TJ103T
R931		nsp	nsp	RES, CARBON	10Ω	KRD25FJ100T
R932		nsp	nsp	RES, CARBON	47kΩ 1/5W J	CRD20TJ473T
R936		nsp	nsp	RES, CARBON	47Ω 1/5W J	CRD20TJ470T
RC61		*HW100650R	*HW100650R	SENSOR, REMOTE	RPM6936-H4	HRVRPM6936H4
RY31		*LY000330R	*LY000330R	RELAY	OSA-SS-212DM3	HSL4A004ZU
RY32		*LY000330R	*LY000330R	RELAY	OSA-SS-212DM3	HSL4A004ZU
RY33		*LY000330R	*LY000330R	RELAY	OSA-SS-212DM3	HSL4A004ZU
▲ RY92		*LY000340R	*LY000340R	RELAY	SDT-S-112DMR	HSL1A008ZE
SW31		*SR000260R	*SR000260R	VR, ENCODER	EC16B1220408A	HSR2A006Z
SW51		*SP000940R	*SP000940R	SW, PUSH(VERTICAL) CN	220014	KSH2B003Z
SW52		*SP000940R	*SP000940R	SW, PUSH(VERTICAL) CN	220014	KSH2B003Z
SW61		*SP001240R	*SP001240R	SW, PUSH	SPUL19X1M071	HSH2B017Z
SW62		*SP001240R	*SP001240R	SW, PUSH	SPUL19X1M071	HSH2B017Z
SW91		*SP001250R	*SP001250R	SW, PUSH (MOMS)		HSH1A001ZV
▲ TRS1 /F		nsp	*TS001070R	MAINS TRANSF, SUB		CLT5J031ZJ
▲ TRS1 /N		*TS001080R	*TS001080R	MAINS TRANSF, SUB	EI-35 (115/230V)	CLT5J031ZW
TW91		YP04000760	YP04000760	WAFER	7.92MM (YUNHO)	KJP02KA060ZY
VR31		*RA001000R	*RA001000R	RES, SEMI FIXED (470 Ω)	RH0638C-471	KVN1RA471B01T
VR32		*RA001000R	*RA001000R	RES, SEMI FIXED (470 Ω)	RH0638C-471	KVN1RA471B01T
VR51		*RM000400R	*RM000400R	RES, VARIABLE(BALANCE)	RK14128030214Y	CVV2X05M104Z
VR53		*RM000450R	*RM000450R	VR, MOTOR		CVV9Y12B104Z
VR54		*RM000410R	*RM000410R	RES, VARIABLE(TONE)	RK14128030214C	CVV2X07C104Z
VR55		*RM000410R	*RM000410R	RES, VARIABLE(TONE)	RK14128030214C	CVV2X07C104Z
VR65		*SR000250R	*SR000250R	SW, ROTARY	SRBV18	HSR8A004Z
X621		*JX001030R	*JX001030R	CRYSTAL	4MHZ	HOX08000E160C

NOTE : "nsp" PART IS LISTED FOR REFERENCE ONLY, MARANTZ WILL NOT SUPPLY THESE PARTS.